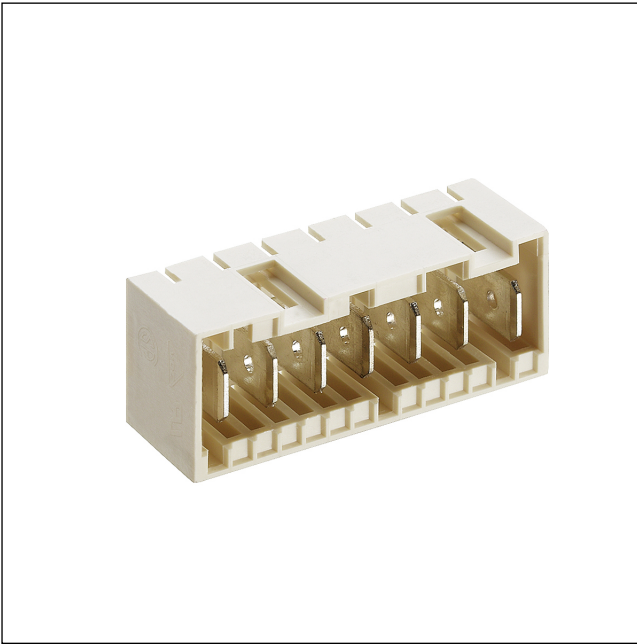


36

364299

RAST 5 connectors, pitch 5.0 mm

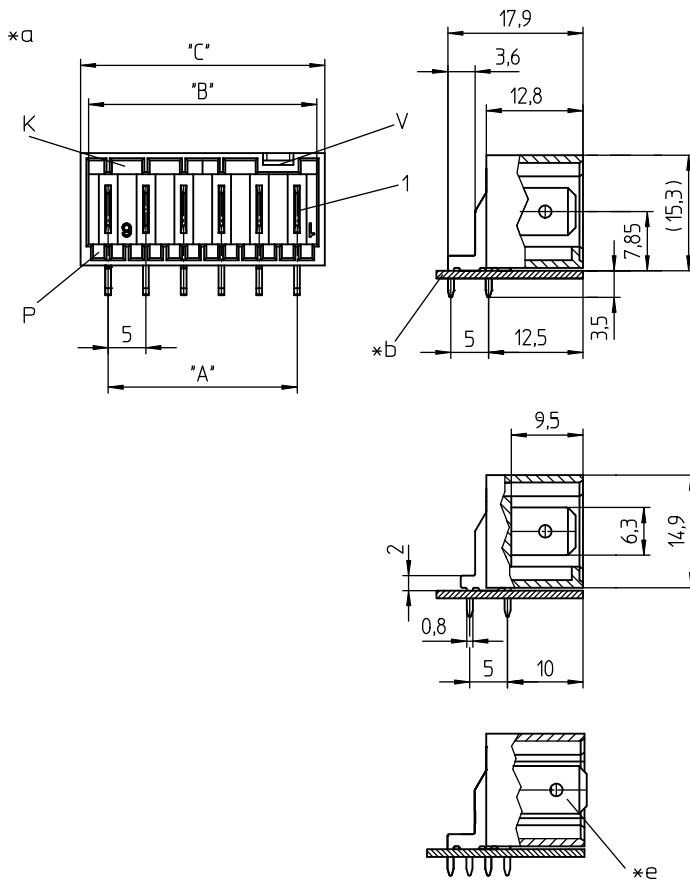


RAST 5 tab header, angular, with topside lock, with pre-mating protective contacts

Approvals:



36 364299




Environmental conditions

Temperature range -40 °C/+120 °C

Materials

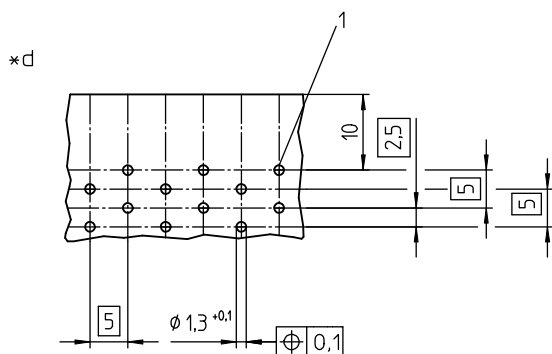
Insulating body PA GF, V-0 according to UL94¹
Contact tab CuZn, pre-nickel and tin-plated
¹ component glow wire resistant (GWT 750 °C), testing acc. to IEC 60695-2-11, assessment acc. to IEC 60335-1 (flame < 2 s)

Mechanical data

Contact tab 6.3 x 0.8 mm according to DIN 46244
Keying proposals at www.lumberg.com 

Electrical data (at T_{amb} 20 °C)

Rated current 10 A (T_{amb} 70 °C)
Rated voltage 250 V AC
Material group IIIa (IEC)/2 (UL) (CTI ≥ 250)
Creepage distance 4,2 mm
Clearance 4,2 mm
Insulation resistance > 10 GΩ



- *a K = keying
P = positioning
V = space for lock
- *b printed circuit board
- *d printed circuit board layout, solder side view
- *e pre-mating protective contact, protruding 1.5 mm, possible at any position

Designation	Pole Number	PU (Pieces)	MDQ (Pieces)
364299 02	2	250	1000
364299 03	3	250	1000
364299 04	4	250	1000
364299 05	5	250	1000
364299 06	6	250	1000
364299 07	7	250	1000
364299 08	8	250	1000
364299 09	9	250	1000
364299 10	10	250	1000
364299 11	11	250	1000
364299 12	12	250	1000