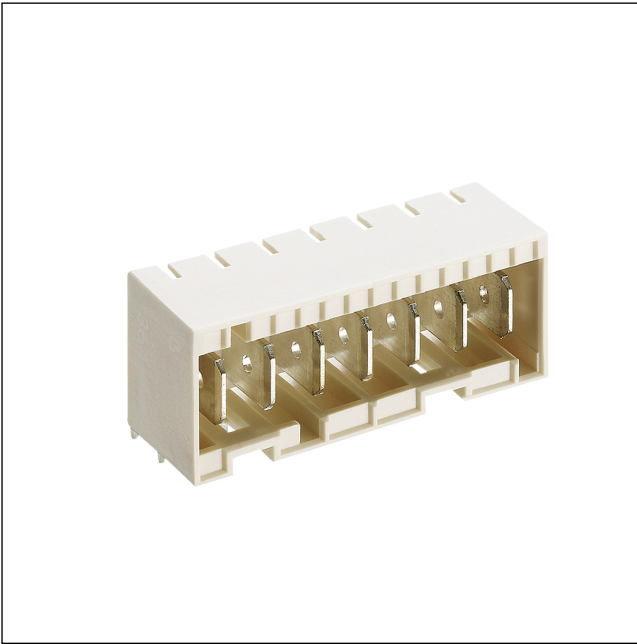


36

3643

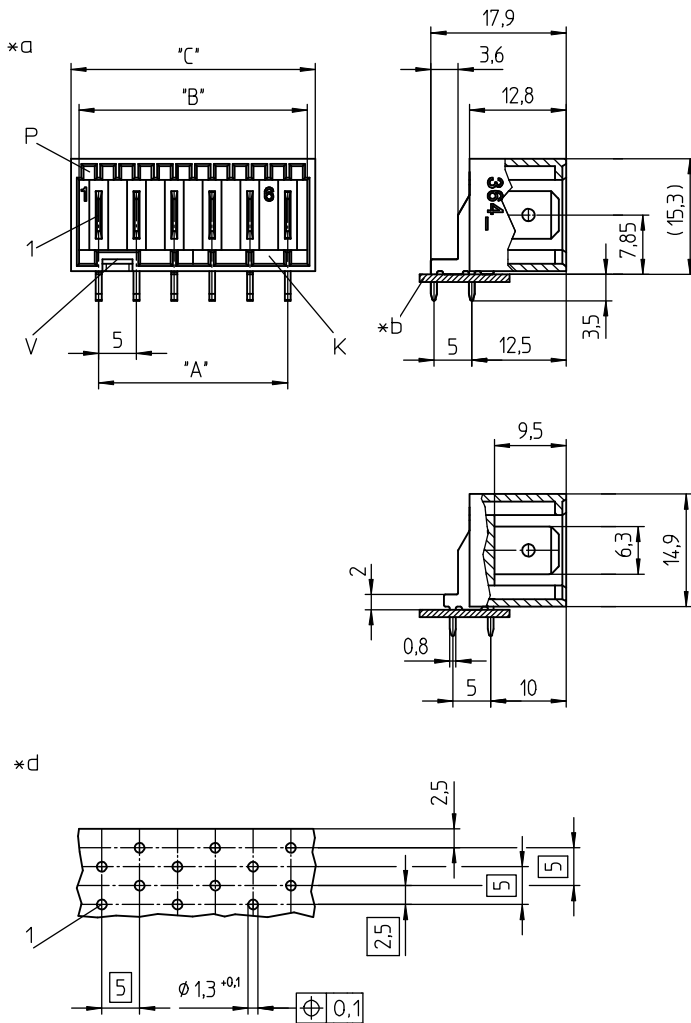
RAST 5 connectors, pitch 5.0 mm



RAST 5 tab header, angular, with lower side lock

Approvals:  

36 3643



- *a K = keying
P = positioning
V = space for lock
- *b printed circuit board
- *d printed circuit board layout, solder side view

Environmental conditions

Temperature range -40 °C/+120 °C

Materials

Insulating body PA GF, V-0 according to UL94¹
 Contact tab CuZn, pre-nickel and tin-plated
¹ component glow wire resistant (GWT 750 °C), testing acc. to IEC 60695-2-11, assessment acc. to IEC 60335-1 (flame < 2 s)

Mechanical data

Contact tab 6.3 x 0.8 mm according to DIN 46244
 Keying proposals at www.lumberg.com

Electrical data (at T_{amb} 20 °C)

Rated current 10 A (T_{amb} 70 °C)
 Rated voltage 250 V AC
 Material group IIIa (IEC)/2 (UL) (CTI ≥ 250)
 Creepage distance 4,2 mm
 Clearance 4,2 mm
 Insulation resistance > 10 GΩ

Associated products

Counterparts
 ☞ 3611 ☞ 3615 ☞ 3615-1
 ☞ 3615-2 ☞ 3615-3 ☞ 3623
 ☞ 3623 01 V01 ☞ 3626

36

3643

Designation	Pole Number	PU (Pieces)	MDQ (Pieces)	Dimensions		
				A (mm)	B (mm)	C (mm)
3643 02	2	250	1000	5	10.2	12.3
3643 03	3	250	1000	10	15.2	17.3
3643 04	4	250	1000	15	20.2	22.3
3643 05	5	250	1000	20	25.2	27.3
3643 06	6	250	1000	25	30.2	32.3
3643 07	7	250	1000	30	35.2	37.3
3643 08	8	250	1000	35	40.2	42.3
3643 09	9	250	1000	40	45.2	47.3
3643 10	10	250	1000	45	50.2	52.3
3643 11	11	250	1000	50	55.2	57.3
3643 12	12	250	1000	55	60.2	62.3

Designation to be completed by further details (e.g. for keying, color or material options).

Packaging:

in bulk, in a cardboard box