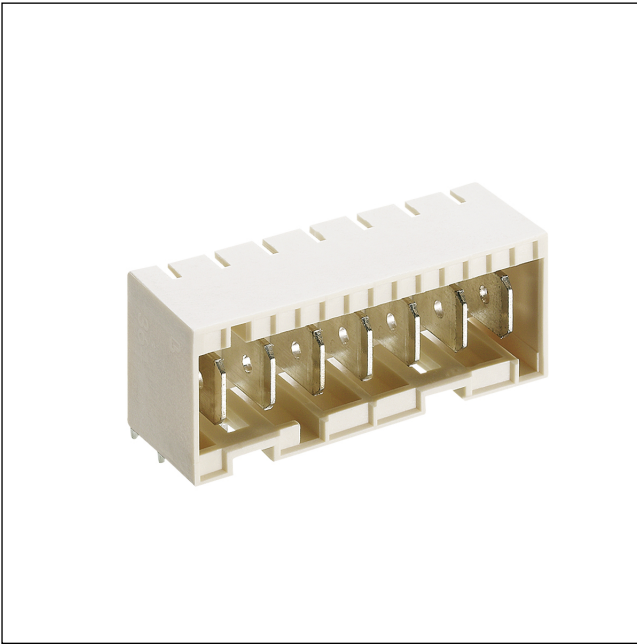


36

3643 V167

RAST 5 connectors, pitch 5.0 mm



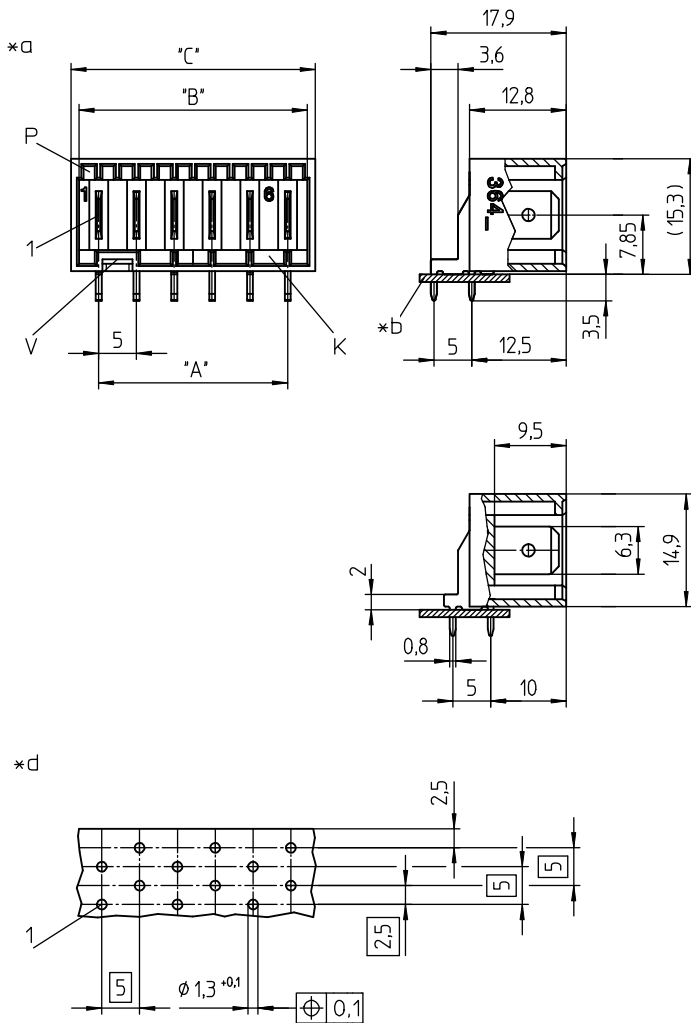
RAST 5 tab header, angular, with lower side lock, contact tab silvered

Approvals:



36

3643 V167



- *a K = keying
P = positioning
V = space for lock
- *b printed circuit board
- *d printed circuit board layout, solder side view

Environmental conditions

Temperature range -40 °C/+120 °C

Materials

Insulating body PA GF, V-0 according to UL94¹
Contact tab CuZn, pre-nickel and silver-plated

¹ 1 component glow wire resistant (GWT 750 °C), testing acc. to IEC 60695-2-11, assessment acc. to IEC 60335-1 (flame < 2 s)

Mechanical data

Contact tab 6.3 x 0.8 mm according to DIN 46244

Keying proposals at www.lumberg.com 

Electrical data (at T_{amb} 20 °C)

Rated current 16 A (T_{amb} 70 °C)
Rated voltage 250 V AC (VDE, cULus)
500 V AC (cULus)
Material group IIIa (IEC)/2 (UL) (CTI ≥ 250)
Creepage distance 4,2 mm
Clearance 4,2 mm
Insulation resistance > 10 GΩ

Associated products

Counterparts  3625  3625 01  3627

36

3643 V167

Designation	Pole Number	PU (Pieces)	MDQ (Pieces)	Dimensions		
				A (mm)	B (mm)	C (mm)
3643 02 V167	2	250	1000	5	10.2	12.3
3643 03 V167	3	250	1000	10	15.2	17.3
3643 04 V167	4	250	1000	15	20.2	22.3
3643 05 V167	5	250	1000	20	25.2	27.3
3643 06 V167	6	250	1000	25	30.2	32.3
3643 07 V167	7	250	1000	30	35.2	37.3
3643 08 V167	8	250	1000	35	40.2	42.3
3643 09 V167	9	250	1000	40	45.2	47.3
3643 10 V167	10	250	1000	45	50.2	52.3
3643 11 V167	11	250	1000	50	55.2	57.3
3643 12 V167	12	250	1000	55	60.2	62.3

Designation to be completed by further details (e.g. for keying, color or material options).

Packaging:

in bulk, in a cardboard box