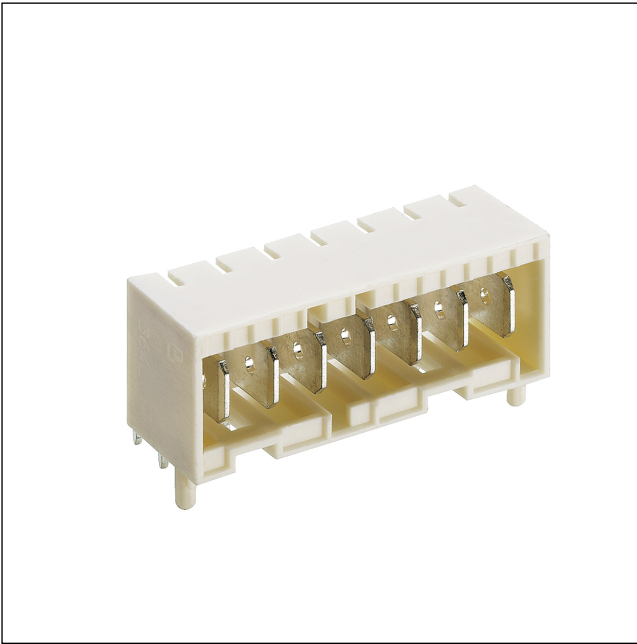


36

3644

RAST 5 connectors, pitch 5.0 mm



RAST 5 tab header, angular, with lower side lock, higher version, with positioning spigots

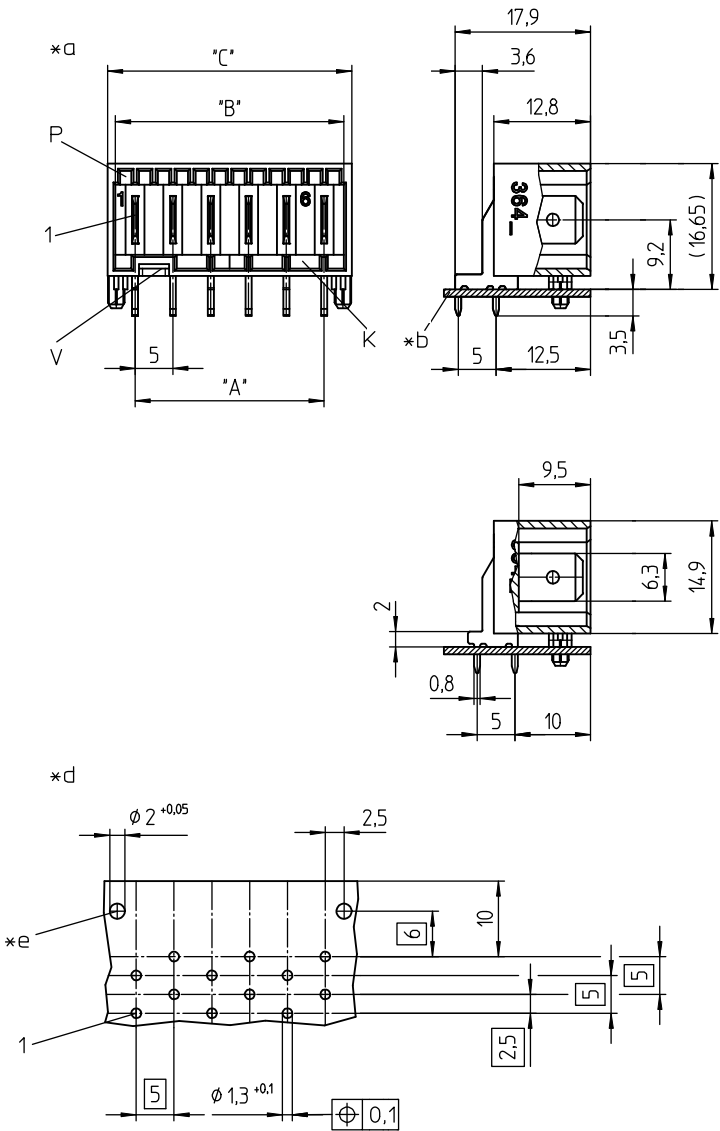
---

Approvals:



36

3644



- \*a K = keying  
P = positioning  
V = space for lock
- \*b printed circuit board
- \*d printed circuit board layout, solder side view
- \*e bore holes for positioning spigots

**Environmental conditions**

Temperature range                      -40 °C/+120 °C

**Materials**

Insulating body                              PA GF, V-0 according to UL94<sup>1</sup>  
 Contact tab                                      CuZn, pre-nickel and tin-plated

<sup>1</sup> component glow wire resistant (GWT 750 °C), testing acc. to IEC 60695-2-11, assessment acc. to IEC 60335-1 (flame < 2 s)

**Mechanical data**

Contact tab                                      6.3 x 0.8 mm according to DIN 46244

Keying proposals                              at [www.lumberg.com](http://www.lumberg.com)

**Electrical data (at T<sub>amb</sub> 20 °C)**

Rated current                                    10 A (T<sub>amb</sub> 70 °C)  
 Rated voltage                                    250 V AC  
 Material group                                   IIIa (IEC)/2 (UL) (CTI ≥ 250)  
 Creepage distance                            4,2 mm  
 Clearance                                         4,2 mm  
 Insulation resistance                         > 10 GΩ

**Associated products**

Counterparts		
☞ 3611	☞ 3615	☞ 3615-1
☞ 3615-2	☞ 3615-3	☞ 3623
☞ 3623 01 V01	☞ 3626	

36

3644

Designation	Pole Number	PU (Pieces)	MDQ (Pieces)	Dimensions		
				A (mm)	B (mm)	C (mm)
3644 02	2	250	1000	5	10.2	12.3
3644 03	3	250	1000	10	15.2	17.3
3644 04	4	250	1000	15	20.2	22.3
3644 05	5	250	1000	20	25.2	27.3
3644 06	6	250	1000	25	30.2	32.3
3644 07	7	250	1000	30	35.2	37.3
3644 08	8	250	1000	35	40.2	42.3
3644 09	9	250	1000	40	45.2	47.3
3644 10	10	250	1000	45	50.2	52.3
3644 11	11	250	1000	50	55.2	57.3
3644 12	12	250	1000	55	60.2	62.3

Designation to be completed by further details (e.g. for keying, color or material options).

**Packaging:**

in bulk, in a cardboard box