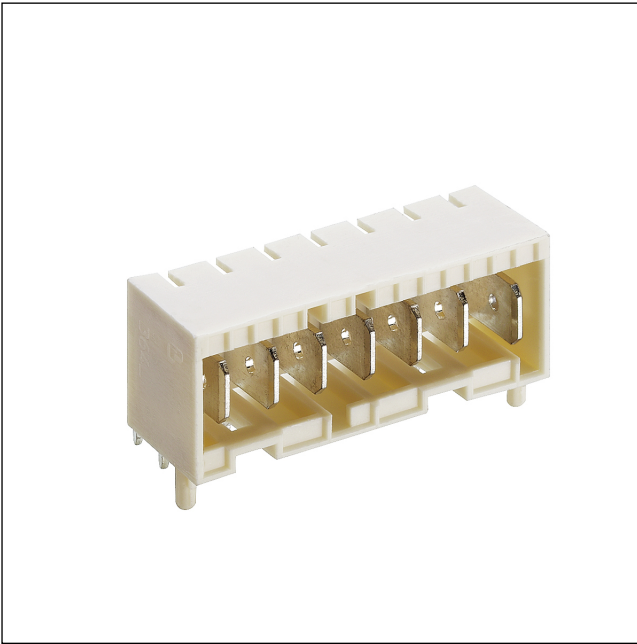


36

364499

RAST 5 connectors, pitch 5.0 mm



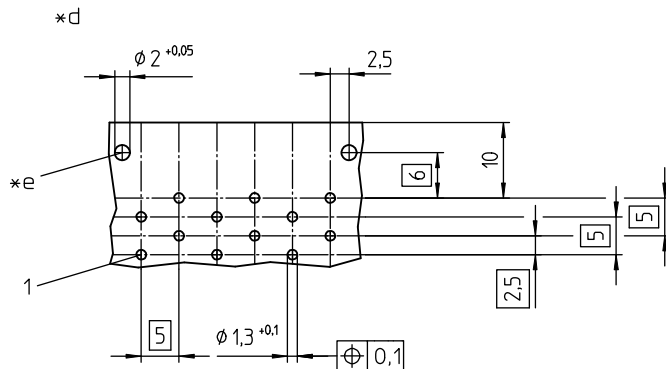
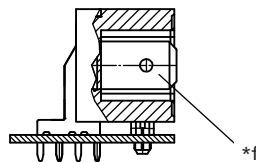
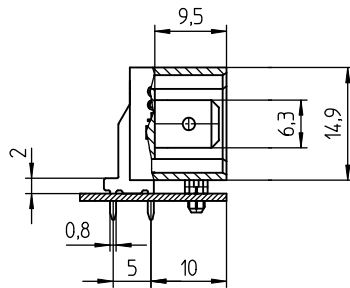
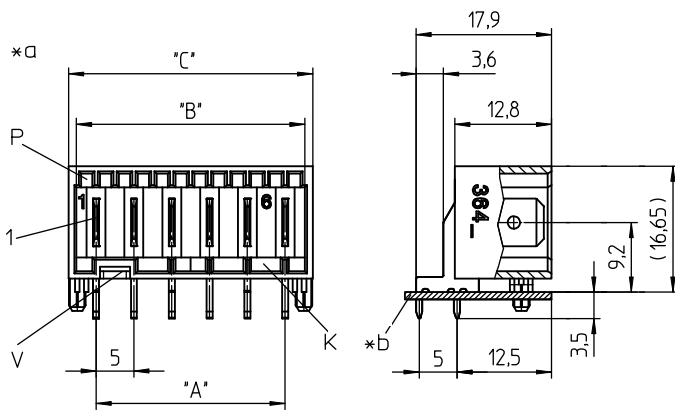
RAST 5 tab header, angular, with lower side lock, higher version, with positioning spigots, with pre-mating protective contacts

---

Approvals:



36 364499



### Environmental conditions

Temperature range -40 °C/+120 °C

### Materials

Insulating body PA GF, V-0 according to UL94<sup>1</sup>

Contact tab CuZn, pre-nickel and tin-plated

<sup>1</sup> component glow wire resistant (GWT 750 °C), testing acc. to IEC 60695-2-11, assessment acc. to IEC 60335-1 (flame < 2 s)

### Mechanical data

Contact tab 6.3 x 0.8 mm according to DIN 42644

Keying proposals at [www.lumberg.com](http://www.lumberg.com) 

### Electrical data (at T<sub>amb</sub> 20 °C)

Rated current 10 A (T<sub>amb</sub> 70 °C)  
 Rated voltage 250 V AC  
 Material group IIIa (IEC)/2 (UL) (CTI ≥ 250)  
 Creepage distance 4,2 mm  
 Clearance 4,2 mm  
 Insulation resistance > 10 GΩ

36

364499

- 
- \*a K = keying  
P = positioning  
V = space for lock
  - \*b printed circuit board
  - \*d printed circuit board layout, solder side view
  - \*e bore holes for positioning spigots
  - \*f pre-mating protective contact, protruding 1.5 mm, possible at any position

36

364499

Designation	Pole Number	PU (Pieces)	MDQ (Pieces)
364499 02	2	250	1000
364499 03	3	250	1000
364499 04	4	250	1000
364499 05	5	250	1000
364499 06	6	250	1000
364499 07	7	250	1000
364499 08	8	250	1000
364499 09	9	250	1000
364499 10	10	250	1000
364499 11	11	250	1000
364499 12	12	250	1000