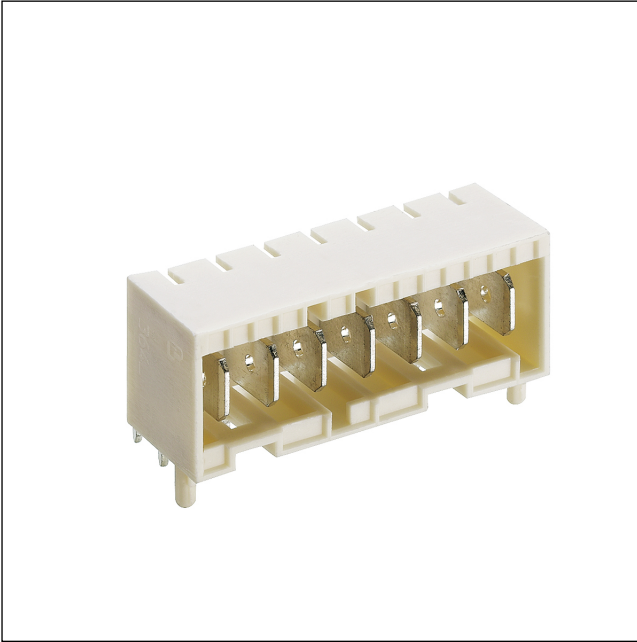


36

3644 V167

RAST 5 connectors, pitch 5.0 mm



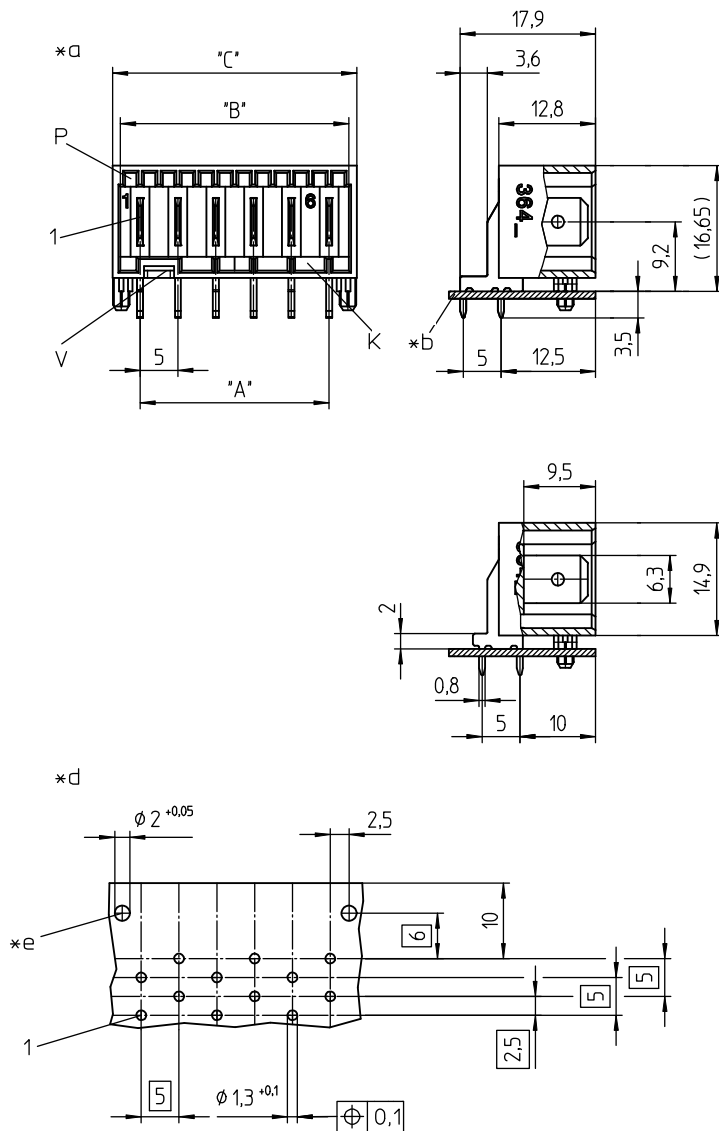
RAST 5 tab header, angular, with lower side lock, higher version, with positioning spigots, contact tab silvered

Approvals:



36

3644 V167



- *a K = keying
P = positioning
V = space for lock
- *b printed circuit board
- *d printed circuit board layout, solder side view
- *e bore holes for positioning spigots

Environmental conditions

Temperature range -40 °C/+120 °C

Materials

Insulating body PA GF, V-0 according to UL94¹
Contact tab CuZn, pre-nickel and silver-plated

¹ component glow wire resistant (GWT 750 °C), testing acc. to IEC 60695-2-11, assessment acc. to IEC 60335-1 (flame < 2 s)

Mechanical data

Contact tab 6.3 x 0.8 mm according to DIN 46244

Keying proposals at www.lumberg.com 

Electrical data (at T_{amb} 20 °C)

Rated current 16 A (T_{amb} 70 °C)
Rated voltage 250 V AC (VDE, cULus)
500 V AC (cULus)
Material group IIIa (IEC)/2 (UL) (CTI ≥ 250)
Creepage distance 4,2 mm
Clearance 4,2 mm
Insulation resistance > 10 GΩ

Associated products

Counterparts  3625  3625 01  3627

36

3644 V167

Designation	Pole Number	PU (Pieces)	MDQ (Pieces)	Dimensions		
				A (mm)	B (mm)	C (mm)
3644 02 V167	2	250	1000	5	10.2	12.3
3644 03 V167	3	250	1000	10	15.2	17.3
3644 04 V167	4	250	1000	15	20.2	22.3
3644 05 V167	5	250	1000	20	25.2	27.3
3644 06 V167	6	250	1000	25	30.2	32.3
3644 07 V167	7	250	1000	30	35.2	37.3
3644 08 V167	8	250	1000	35	40.2	42.3
3644 09 V167	9	250	1000	40	45.2	47.3
3644 10 V167	10	250	1000	45	50.2	52.3
3644 11 V167	11	250	1000	50	55.2	57.3
3644 12 V167	12	250	1000	55	60.2	62.3

Designation to be completed by further details (e.g. for keying, color or material options).

Packaging:

in bulk, in a cardboard box