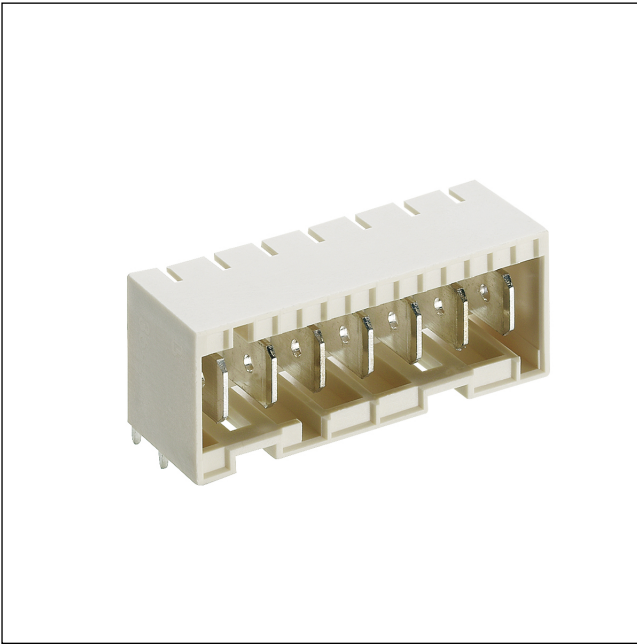


36

3645

RAST 5 connectors, pitch 5.0 mm



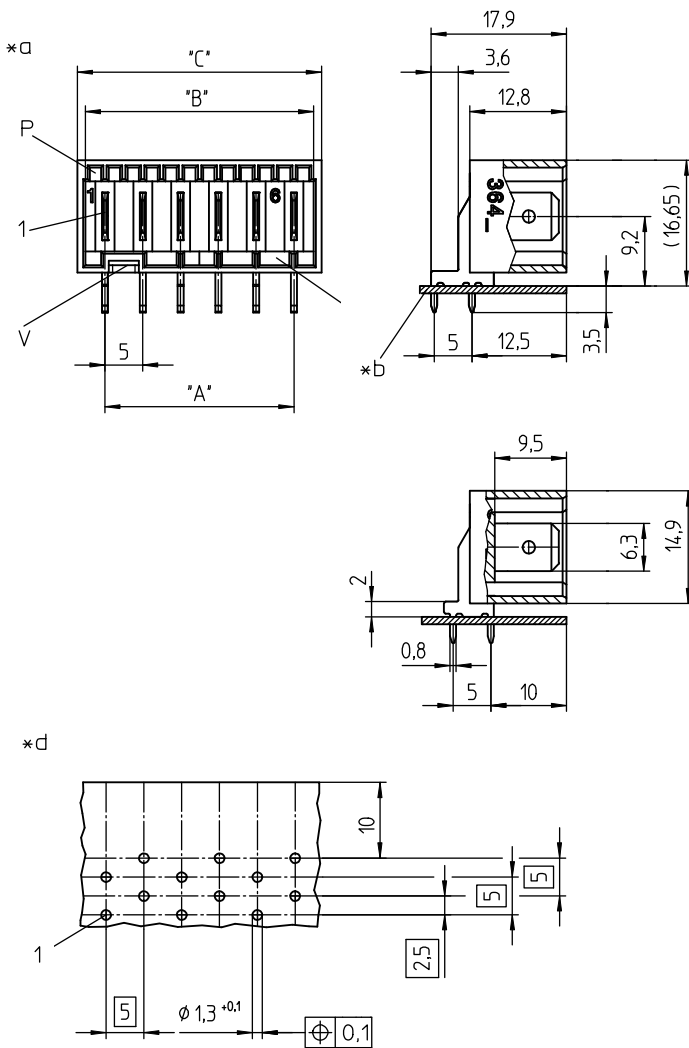
RAST 5 tab header, angular, with lower side lock, higher version

---

Approvals:



36 3645



- \*a K = keying  
P = positioning  
V = space for lock
- \*b printed circuit board
- \*d printed circuit board layout, solder side view

**Environmental conditions**

Temperature range -40 °C/+120 °C

**Materials**

Insulating body PA GF, V-0 according to UL94<sup>1</sup>  
 Contact tab CuZn, pre-nickel and tin-plated  
<sup>1</sup> component glow wire resistant (GWT 750 °C), testing acc. to IEC 60695-2-11, assessment acc. to IEC 60335-1 (flame < 2 s)

**Mechanical data**

Contact tab 6.3 x 0.8 mm according to DIN 46244  
 Keying proposals at [www.lumberg.com](http://www.lumberg.com)

**Electrical data (at T<sub>amb</sub> 20 °C)**

Rated current 10 A (T<sub>amb</sub> 70 °C)  
 Rated voltage 250 V AC  
 Material group IIIa (IEC)/2 (UL) (CTI ≥ 250)  
 Creepage distance 4,2 mm  
 Clearance 4,2 mm  
 Insulation resistance > 10 GΩ

**Associated products**

Counterparts  
 ☞ 3611 ☞ 3615 ☞ 3615-1  
 ☞ 3615-2 ☞ 3615-3 ☞ 3623  
 ☞ 3623 01 V01 ☞ 3626

36

3645

| Designation | Pole Number | PU (Pieces) | MDQ (Pieces) | Dimensions |        |        |
|-------------|-------------|-------------|--------------|------------|--------|--------|
|             |             |             |              | A (mm)     | B (mm) | C (mm) |
| 3645 02     | 2           | 250         | 1000         | 5          | 10.2   | 12.3   |
| 3645 03     | 3           | 250         | 1000         | 10         | 15.2   | 17.3   |
| 3645 04     | 4           | 250         | 1000         | 15         | 20.2   | 22.3   |
| 3645 05     | 5           | 250         | 1000         | 20         | 25.2   | 27.3   |
| 3645 06     | 6           | 250         | 1000         | 25         | 30.2   | 32.3   |
| 3645 07     | 7           | 250         | 1000         | 30         | 35.2   | 37.3   |
| 3645 08     | 8           | 250         | 1000         | 35         | 40.2   | 42.3   |
| 3645 09     | 9           | 250         | 1000         | 40         | 45.2   | 47.3   |
| 3645 10     | 10          | 250         | 1000         | 45         | 50.2   | 52.3   |
| 3645 11     | 11          | 250         | 1000         | 50         | 55.2   | 57.3   |
| 3645 12     | 12          | 250         | 1000         | 55         | 60.2   | 62.3   |

Designation to be completed by further details (e.g. for keying, color or material options).

**Packaging:**

in bulk, in a cardboard box