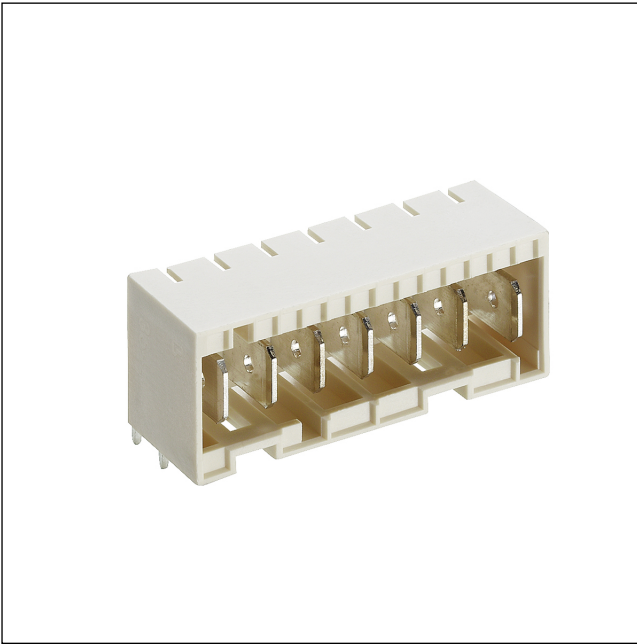


36

364599

RAST 5 connectors, pitch 5.0 mm



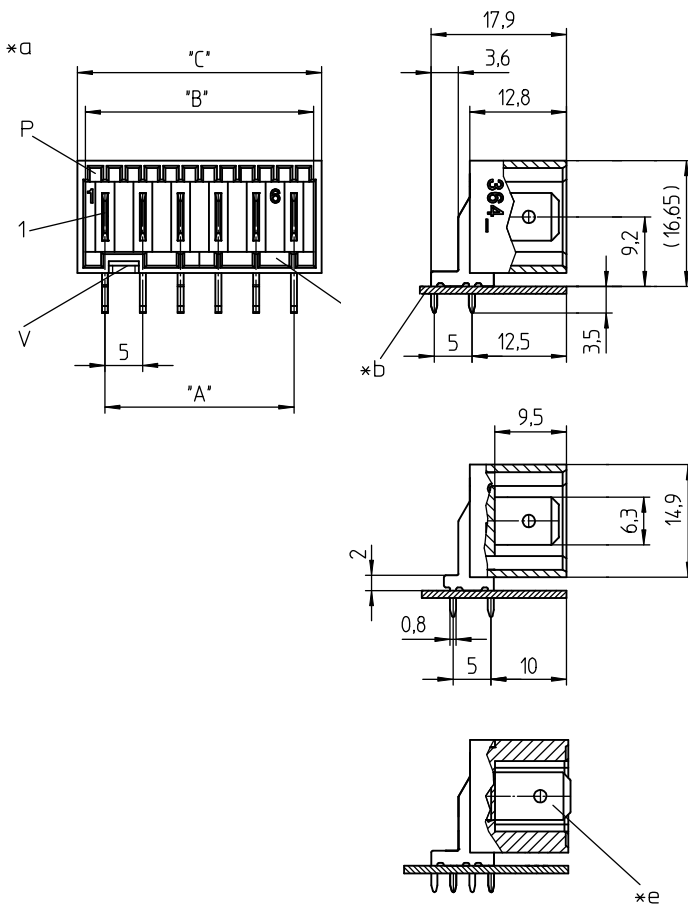
RAST 5 tab header, angular, with lower side lock, higher version, with pre-mating protective contacts

---

Approvals:



36 364599



#### Environmental conditions

Temperature range -40 °C/+120 °C

#### Materials

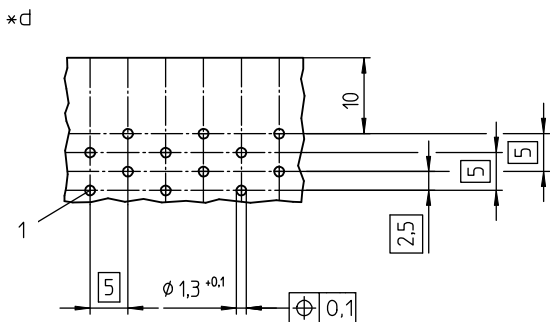
Insulating body PA GF, V-0 according to UL94<sup>1</sup>  
Contact tab CuZn, pre-nickel and tin-plated  
<sup>1</sup> component glow wire resistant (GWT 750 °C), testing acc. to IEC 60695-2-11, assessment acc. to IEC 60335-1 (flame < 2 s)

#### Mechanical data

Contact tab 6.3 x 0.8 mm according to DIN 46244  
Keying proposals at [www.lumberg.com](http://www.lumberg.com)

#### Electrical data (at T<sub>amb</sub> 20 °C)

Rated current 10 A (T<sub>amb</sub> 70 °C)  
Rated voltage 250 V AC  
Material group IIIa (IEC)/2 (UL) (CTI ≥ 250)  
Creepage distance 4,2 mm  
Clearance 4,2 mm  
Insulation resistance > 10 GΩ



- \*a K = keying  
P = positioning  
V = space for lock
- \*b printed circuit board
- \*d printed circuit board layout, solder side view
- \*e pre-mating protective contact, protruding 1.5 mm, possible at any position

Designation	Pole Number	PU (Pieces)	MDQ (Pieces)
364599 02	2	250	1000
364599 03	3	250	1000
364599 04	4	250	1000
364599 05	5	250	1000
364599 06	6	250	1000
364599 07	7	250	1000
364599 08	8	250	1000
364599 09	9	250	1000
364599 10	10	250	1000
364599 11	11	250	1000
364599 12	12	250	1000