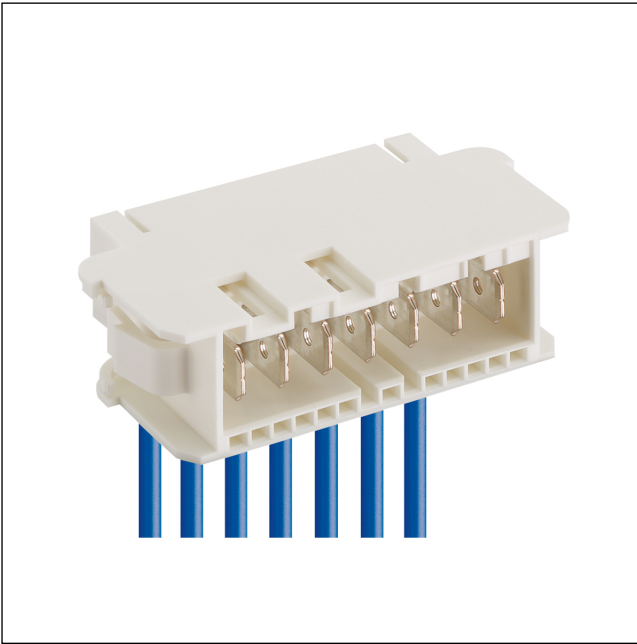


36

3648

RAST 5 connectors, pitch 5.0 mm



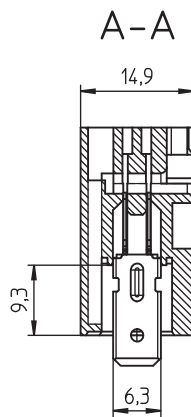
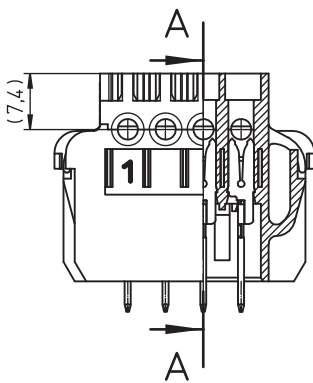
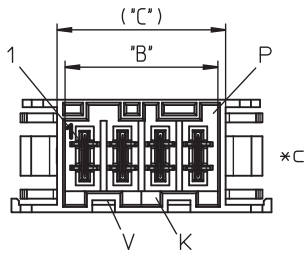
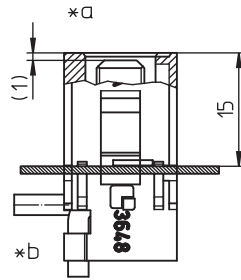
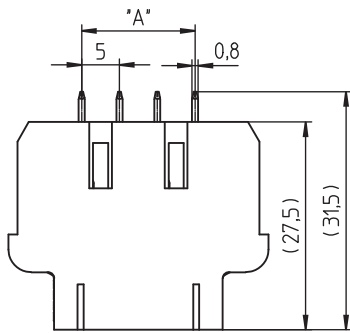
RAST 5 chassis tab header, insulation displacement technology (IDT)

Approvals:



36

3648



### Environmental conditions

Temperature range -40 °C/+130 °C<sup>1</sup>

<sup>1</sup> upper limit temperature (insulating body) RTI (electrical) of the UL Yellow Card

### Materials

Insulating body PA, V-2 according to UL94<sup>1</sup>

Contact tab CuSn, tin-plated

<sup>1</sup> component glow wire resistant (GWT 750 °C), testing acc. to IEC 60695-2-11, assessment acc. to IEC 60335-1 (flame < 2 s)

### Mechanical data

Contact tab 6.3 x 0.8 mm according to DIN 46244

Keying proposals at [www.lumberg.com](http://www.lumberg.com) 

### Connectable conductors for IDT area

Construction discrete conductor, notched flat cable 5.0 mm

Section min. 0,5 mm<sup>2</sup>

Section max. 0,82 mm<sup>2</sup>

Insulation diameter ≤ 2,5 mm

Approved cables at [www.lumberg.com](http://www.lumberg.com) 

### Electrical data (at T<sub>amb</sub> 20 °C)

Contact resistance ≤ 5 mΩ

Rated current 6 A (0.75 mm<sup>2</sup>, T<sub>amb</sub> 90 °C)  
10 A (0.75 mm<sup>2</sup>, T<sub>amb</sub> 60 °C)

Rated voltage 250 V AC

Material group IIIa (IEC)/2 (UL) (CTI ≥ 250)

Creepage distance ≥ 4,7 mm




Clearance ≥ 4,2 mm

Insulation resistance > 10 GΩ

### Associated products



Counterparts

 3611  3615  3615-1

 3615-2  3615-3  3623

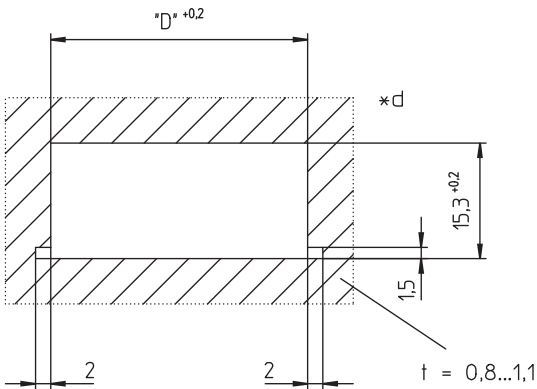
 3623 01 V01  3626

Harnessing equipment

 HA364e-ST  KHP364

36

3648



- \*a terminated connector
- \*b cable departure 90° or 180°
- \*c K = keying  
 P = positioning  
 V = space for lock
- \*d port in mounting plate

36

3648

Designation	Pole Number	PU (Pieces)	MDQ (Pieces)	Dimensions			
				A (mm)	B (mm)	C (mm)	D (mm)
3648 02	2	1550	1550	5	10.2	12.3	19.1
3648 03	3	1250	2500	10	15.2	17.3	24.1
3648 04	4	1050	2100	15	20.2	22.3	29.1
3648 05	5	900	1800	20	25.2	27.3	34.1
3648 06	6	850	1700	25	30.2	32.3	39.1
3648 07	7	750	1500	30	35.2	37.3	44.1
3648 08	8	650	1300	35	40.2	42.3	49.1

Designation to be completed by further details (e.g. for keying, color or material options).

**Packaging:**

in bulk, in a cardboard box