

36

3671

RAST 5 connectors, pitch 5.0 mm



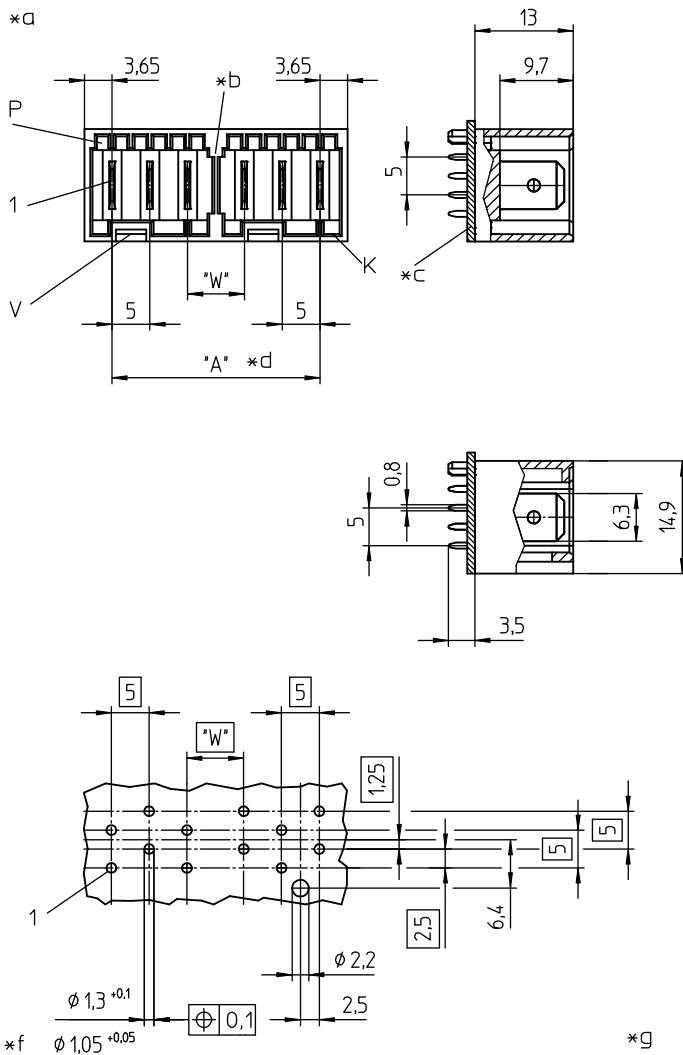
RAST 5 tab header, upright, with positioning spigot, free to configure with partitions

Approvals:



36

3671



- *a K = keying
P = positioning
V = space for lock
- *b partitioning
- *c printed circuit board
- *d $A = (P - 1) \times 5 + (W - 5) \times Y$, max. 135 mm
P = poles
W = 7,5 mm (standard)/10,0 mm
Y = number of partitions (at least 1 partition every 12 contacts)
- *f measure for press-fit of solder pins in printed circuit board
- *g printed circuit board layout, solder side view

Environmental conditions

Temperature range -40 °C/+120 °C

Materials

Insulating body PA GF, V-0 according to UL94¹

Contact tab CuZn, pre-nickel and tin-plated

¹ component glow wire resistant (GWT 750 °C), testing acc. to IEC 60695-2-11, assessment acc. to IEC 60335-1 (flame < 2 s)

Mechanical data

Contact tab 6.3 x 0.8 mm according to DIN 42644

Electrical data (at T_{amb} 20 °C)

Rated current 10 A (T_{amb} 70 °C)
 Rated voltage 250 V AC
 Material group IIIa (IEC)/2 (UL) (CTI ≥ 250)
 Creepage distance 4,2 mm
 Clearance 4,2 mm
 Insulation resistance > 10 GΩ

Associated products

Counterparts
 ☞ 3611 ☞ 3615 ☞ 3615-1
 ☞ 3615-2 ☞ 3615-3 ☞ 3623
 ☞ 3623 01 V01 ☞ 3626

36

3671

Designation	Pole Number	PU (Pieces)	MDQ (Pieces)
3671 03	3		200
3671 04	4		200
3671 05	5		200
3671 06	6		200
3671 07	7		200
3671 08	8		200
3671 09	9		200
3671 10	10		200
3671 11	11		200
3671 12	12		200
3671 13	13		200
3671 14	14		200
3671 15	15		200
3671 16	16		200
3671 17	17		200
3671 18	18		200
3671 19	19		200
3671 20	20		200
3671 21	21		200
3671 22	22		200
3671 23	23		200
3671 24	24		200
3671 25	25		200
3671 26	26		200
3671 27	27		200

Designation to be completed by further details (e.g. for keying, color or material options).

Packaging:

in a cardboard box