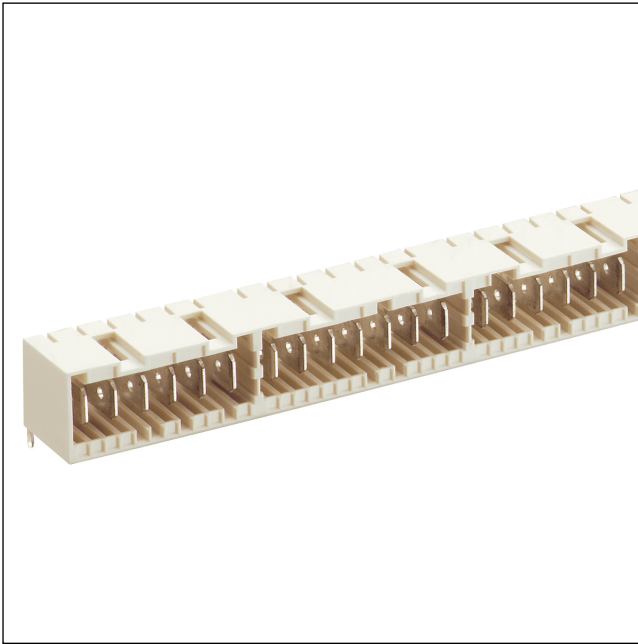


36

3672

RAST 5 connectors, pitch 5.0 mm



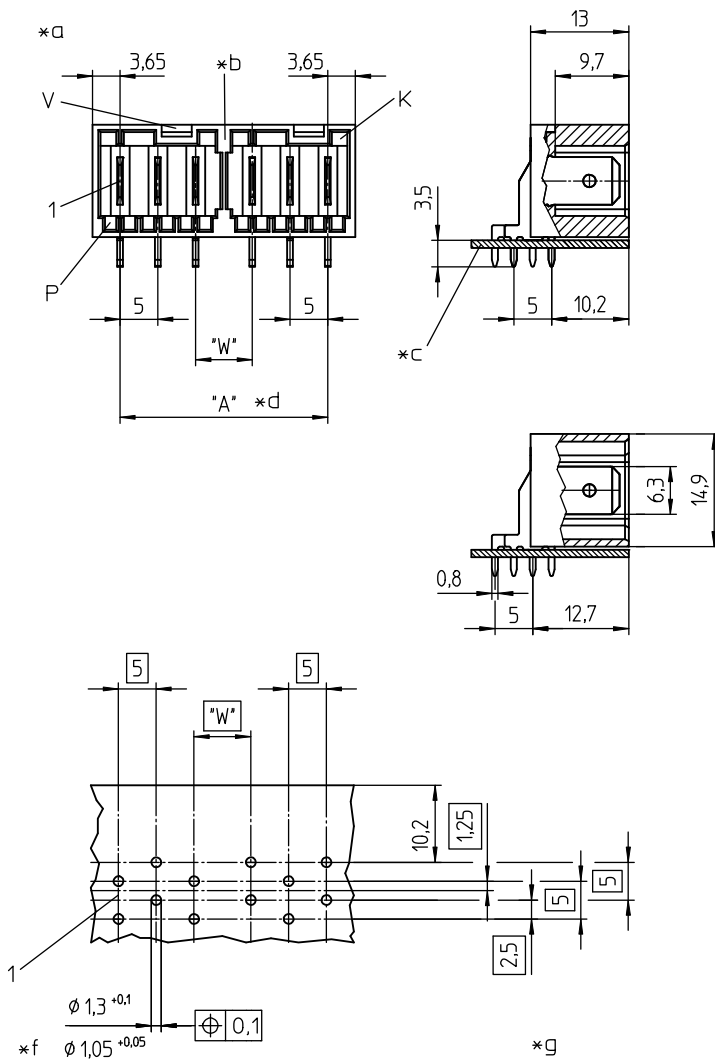
RAST 5 tab header, angular, with topside lock, free to configure with partitions

Approvals:



36

3672



- *a K = keying
P = positioning
V = space for lock
- *b partitioning
- *c printed circuit board
- *d $A = (P - 1) \times 5 + (W - 5) \times Y$, max. 135 mm
P = poles
W = 7,5 mm (standard)/10,0 mm
Y = number of partitions (at least 1 partition every 12 contacts)
- *f measure for press-fit of solder pins in printed circuit board
- *g printed circuit board layout, solder side view

Environmental conditions

Temperature range -40 °C/+120 °C

Materials

Insulating body PA GF, V-0 according to UL94¹

Contact tab CuZn, pre-nickel and tin-plated

¹ component glow wire resistant (GWT 750 °C), testing acc. to IEC 60695-2-11, assessment acc. to IEC 60335-1 (flame < 2 s)

Mechanical data

Contact tab 6.3 x 0.8 mm according to DIN 42644

Electrical data (at T_{amb} 20 °C)

Rated current 10 A (T_{amb} 70 °C)
 Rated voltage 250 V AC
 Material group IIIa (IEC)/2 (UL) (CTI ≥ 250)
 Creepage distance 4,2 mm
 Clearance 4,2 mm
 Insulation resistance > 10 GΩ

Associated products

Counterparts
 ☞ 3611 ☞ 3615 ☞ 3615-1
 ☞ 3615-2 ☞ 3615-3 ☞ 3623
 ☞ 3623 01 V01 ☞ 3626

Designation	Pole Number	PU (Pieces)	MDQ (Pieces)
3672 03	3		200
3672 04	4		200
3672 05	5		200
3672 06	6		200
3672 07	7		200
3672 08	8		200
3672 09	9		200
3672 10	10		200
3672 11	11		200
3672 12	12		200
3672 13	13		200
3672 14	14		200
3672 15	15		200
3672 16	16		200
3672 17	17		200
3672 18	18		200
3672 19	19		200
3672 20	20		200
3672 21	21		200
3672 22	22		200
3672 23	23		200
3672 24	24		200
3672 25	25		200
3672 26	26		200
3672 27	27		200

Designation to be completed by further details (e.g. for keying, color or material options).

Packaging:
in a cardboard box