

36

3674

RAST 5 connectors, pitch 5.0 mm



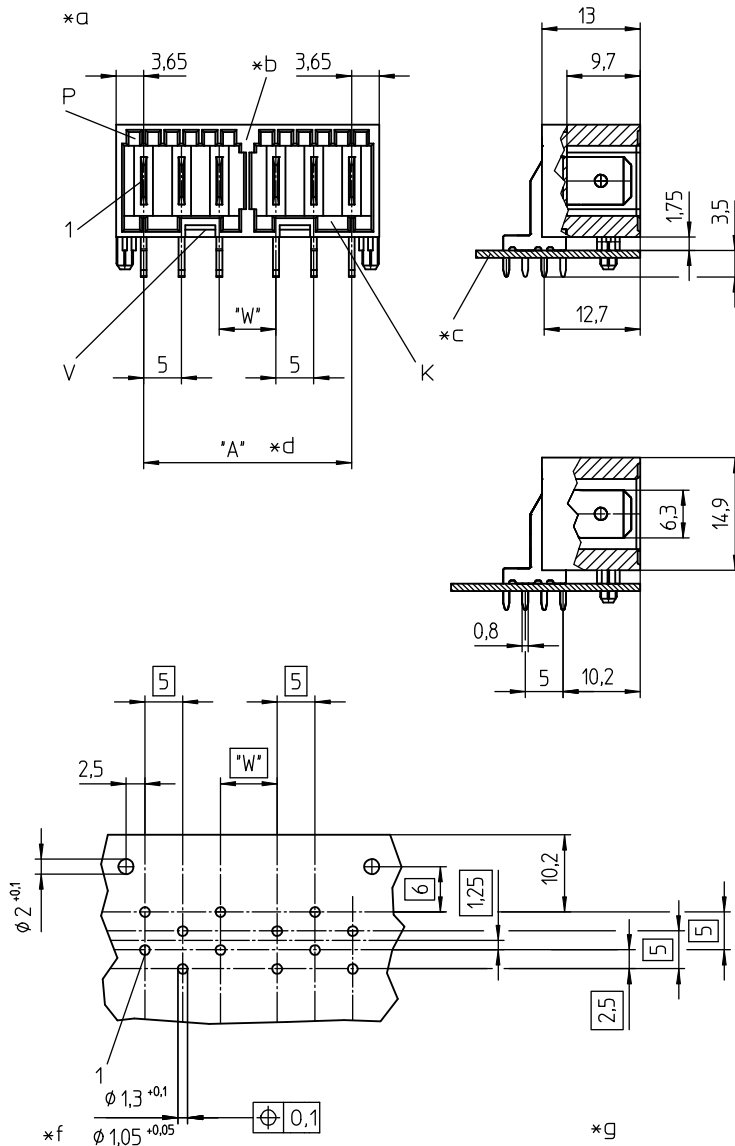
RAST 5 tab header, angular, with lower side lock, higher version, with positioning spigot, free to configure with partitions

Approvals:



36

3674



Environmental conditions

Temperature range -40 °C/+120 °C

Materials

Insulating body PA GF, V-0 according to UL94¹
Contact tab CuZn, pre-nickel and tin-plated
¹ component glow wire resistant (GWT 750 °C), testing acc. to IEC 60695-2-11, assessment acc. to IEC 60335-1 (flame < 2 s)

Mechanical data

Contact tab 6,3 x 0,8 mm according to DIN 46244

Electrical data (at T_{amb} 20 °C)

Rated current 10 A (T_{amb} 70 °C)
Rated voltage 250 V AC
Material group IIIa (IEC)/2 (UL) (CTI ≥ 250)
Creepage distance 4,2 mm
Clearance 4,2 mm
Insulation resistance > 10 GΩ

Associated products

Counterparts
 ☞ 3611 ☞ 3615 ☞ 3615-1
 ☞ 3615-2 ☞ 3615-3 ☞ 3623
 ☞ 3623 01 V01 ☞ 3626

- *a K = keying
P = positioning
V = space for lock
- *b partitioning
- *c printed circuit board
- *d $A = (P - 1) \times 5 + (W - 5) \times Y$, max. 135 mm
P = poles
W = 7,5 mm (standard)/10,0 mm
Y = number of partitions (at least 1 partition every 12 contacts)
- *f measure for press-fit of solder pins in printed circuit board
- *g printed circuit board layout, solder side view

Designation	Pole Number	PU (Pieces)	MDQ (Pieces)
3674 03	3		200
3674 04	4		200
3674 05	5		200
3674 06	6		200
3674 07	7		200
3674 08	8		200
3674 09	9		200
3674 10	10		200
3674 11	11		200
3674 12	12		200
3674 13	13		200
3674 14	14		200
3674 15	15		200
3674 16	16		200
3674 17	17		200
3674 18	18		200
3674 19	19		200
3674 20	20		200
3674 21	21		200
3674 22	22		200
3674 23	23		200
3674 24	24		200
3674 25	25		200
3674 26	26		200
3674 27	27		200

Designation to be completed by further details (e.g. for keying, color or material options).

Packaging:
in a cardboard box