

36

367499

RAST 5 connectors, pitch 5.0 mm



RAST 5 tab header, angular, with lower side lock, higher version, with positioning spigot, free to configure with partitions and pre-mating protective contacts

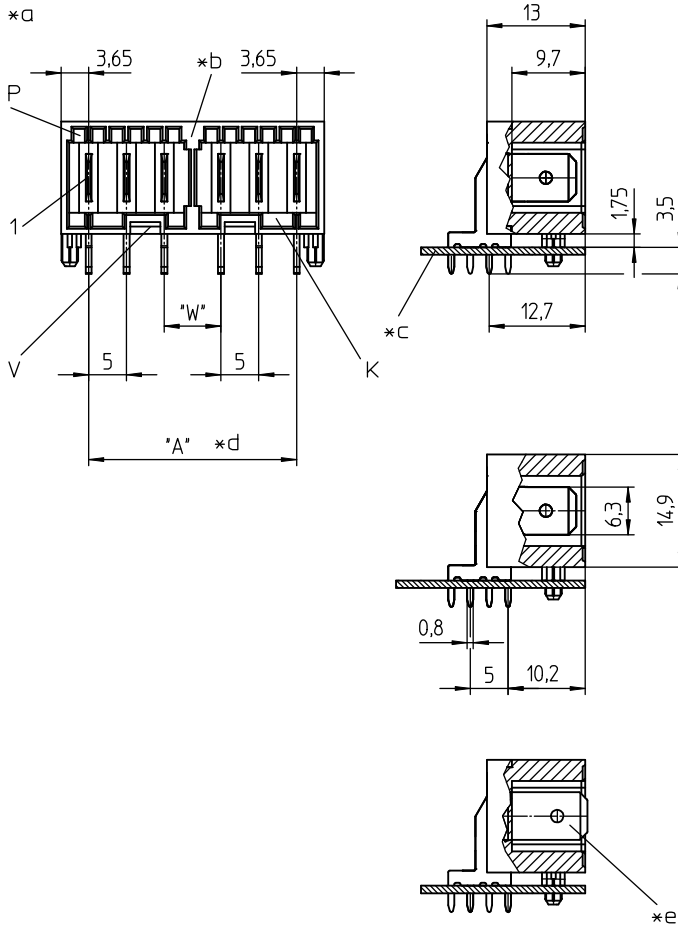
---

Approvals:



36

367499



**Environmental conditions**

Temperature range -40 °C/+120 °C

**Materials**

Insulating body PA GF, V-0 according to UL94<sup>1</sup>  
 Contact tab CuZn, pre-nickel and tin-plated  
<sup>1</sup> component glow wire resistant (GWT 750 °C), testing acc. to IEC 60695-2-11, assessment acc. to IEC 60335-1 (flame < 2 s)

**Mechanical data**

Contact tab 6.3 x 0.8 mm according to DIN 42644

**Electrical data (at T<sub>amb</sub> 20 °C)**

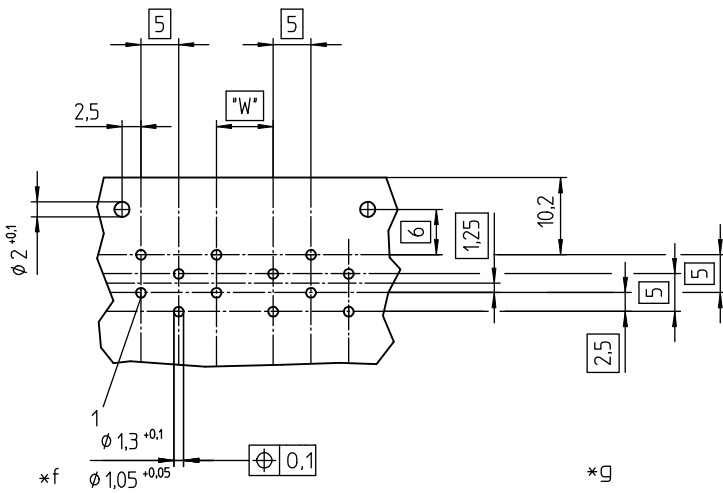
Rated current 10 A (T<sub>amb</sub> 70 °C)  
 Rated voltage 250 V AC  
 Material group IIIa (IEC)/2 (UL) (CTI ≥ 250)  
 Creepage distance 4,2 mm  
 Clearance 4,2 mm  
 Insulation resistance > 10 GΩ

**Associated products**

Counterparts  
 ☞ 3611 ☞ 3615 ☞ 3615-1  
 ☞ 3615-2 ☞ 3615-3 ☞ 3623  
 ☞ 3626

36

367499



- \*a K = keying  
P = positioning  
V = space for lock
- \*b partitioning
- \*c printed circuit board
- \*d  $A = (P - 1) \times 5 + (W - 5) \times Y$ , max. 135 mm  
P = poles  
W = 7,5 mm (standard)/10,0 mm  
Y = number of partitions (at least 1 partition every 12 contacts)
- \*e pre-mating protective contact, protruding 1.5 mm, possible at any position
- \*f measure for press-fit of solder pins in printed circuit board
- \*g printed circuit board layout, solder side view

36

367499

Designation	Pole Number	PU (Pieces)	MDQ (Pieces)
367499 03	3		2000
367499 04	4		2000
367499 05	5		2000
367499 06	6		2000
367499 07	7		2000
367499 08	8		2000
367499 09	9		2000
367499 10	10		2000
367499 11	11		2000
367499 12	12		2000
367499 13	13		2000
367499 14	14		2000
367499 15	15		2000
367499 16	16		2000
367499 17	17		2000
367499 18	18		2000
367499 19	19		2000
367499 20	20		2000
367499 21	21		2000
367499 22	22		2000
367499 23	23		2000
367499 24	24		2000
367499 25	25		2000
367499 26	26		2000
367499 27	27		2000

Designation to be completed by further details (e.g. for keying, color or material options).

**Packaging:**

in a cardboard box