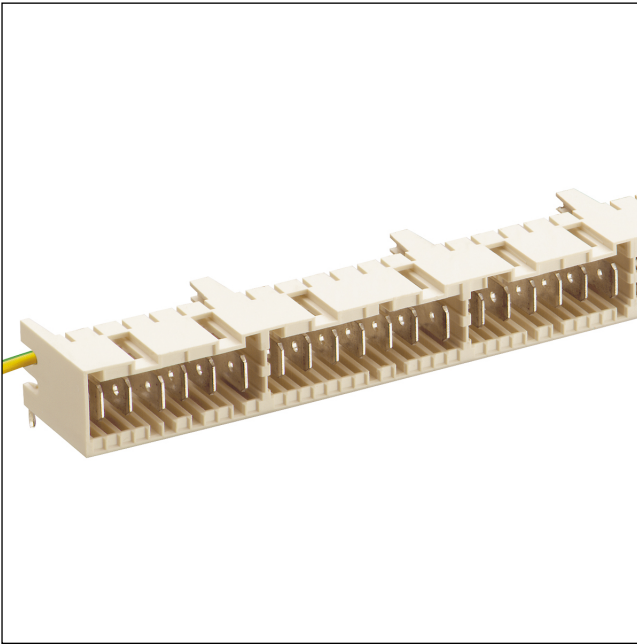


36

3677

RAST 5 connectors, pitch 5.0 mm



RAST 5 tab header, angular, with topside lock, free to configure with partitions, neutral and/or protective conductor bridge in insulation displacement technology (IDT)

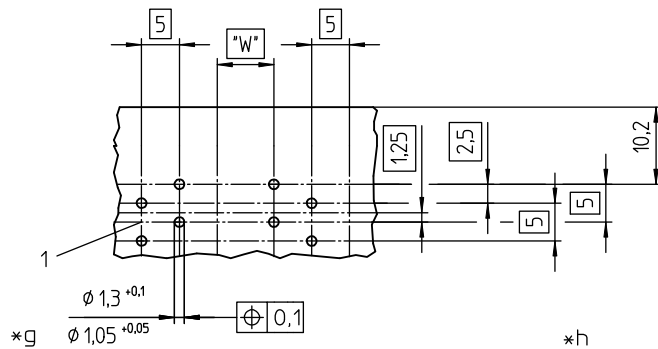
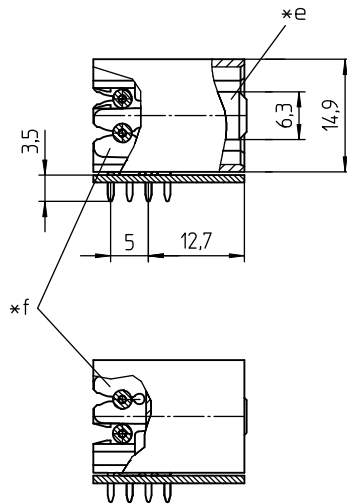
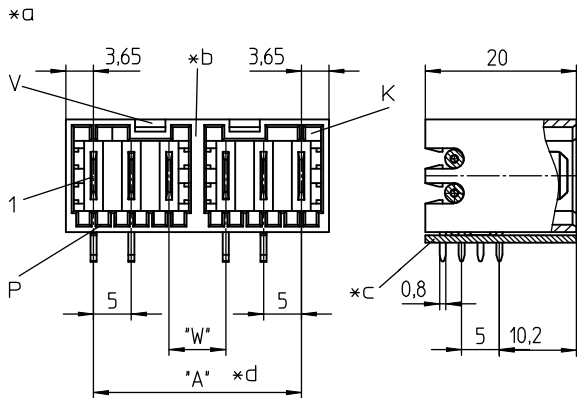
---

Approvals:



36

3677



### Environmental conditions

Temperature range -40 °C/+120 °C

### Materials

|  |   |
|--|---|
| Insulating body                                      | PA GF, V-0 according to UL94 <sup>1</sup> |
| Contact tab with insulation displacement terminal    | CuSn, pre-nickel and tin-plated           |
| Contact tab without insulation displacement terminal | CuZn, pre-nickel and tin-plated           |

<sup>1</sup> component glow wire resistant (GWT 750 °C), testing acc. to IEC 60695-2-11, assessment acc. to IEC 60335-1 (flame < 2 s)

### Mechanical data

|                  |  |
|------------------|--|
| Contact tab      | 6.3 x 0.8 mm according to DIN 46244                              |
| Bridge conductor | stranded wire LiY 0.75 mm <sup>2</sup> according to H05V-KH05V-K |

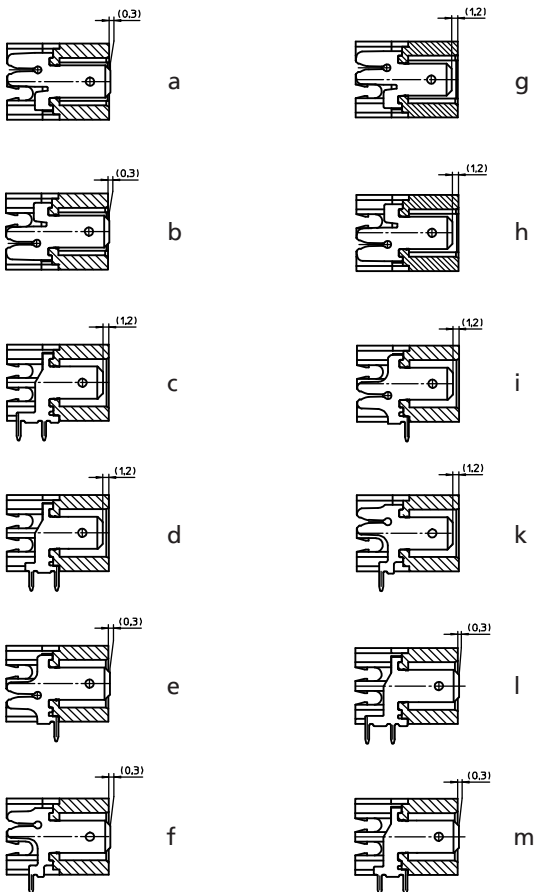
### Electrical data (at T<sub>amb</sub> 20 °C)

|                       |                               |
|-----------------------|-------------------------------|
| Rated current         | 10 A (T <sub>amb</sub> 70 °C) |
| Rated voltage         | 250 V AC                      |
| Material group        | IIIa (IEC)/2 (UL) (CTI ≥ 250) |
| Creepage distance     | 4,2 mm                        |
| Clearance             | 4,2 mm                        |
| Insulation resistance | > 10 GΩ                       |

### Associated products

|               |          |          |
|---------------|----------|----------|
| Counterparts  |          |          |
| ☞ 3611        | ☞ 3615   | ☞ 3615-1 |
| ☞ 3615-2      | ☞ 3615-3 | ☞ 3623   |
| ☞ 3623 01 V01 | ☞ 3626   |          |

types of contacts



- \*a K = keying  
P = positioning  
V = space for lock
- \*b partitioning
- \*c printed circuit board
- \*d  $A = (P - 1) \times 5 + (W - 5) \times Y$ , max. 135 mm with one-piece insulating body  
P = poles  
W = 7,5 mm (standard)/10,0 mm  
Y = number of partitions (at least 1 partition every 12 contacts)
- \*e pre-mating protective contact, protruding 1.5 mm, possible at any position
- \*f insulation displacement contacts with neutral/protective conductor bridges
- \*g measure for press-fit of solder pins in printed circuit board
- \*h printed circuit board layout, solder side view

| Designation | Pole Number | PU (Pieces) | MDQ (Pieces) |
|-------------|-------------|-------------|--------------|
| 3677 03     | 3           |             | 200          |
| 3677 04     | 4           |             | 200          |
| 3677 05     | 5           |             | 200          |
| 3677 06     | 6           |             | 200          |
| 3677 07     | 7           |             | 200          |
| 3677 08     | 8           |             | 200          |
| 3677 09     | 9           |             | 200          |
| 3677 10     | 10          |             | 200          |
| 3677 11     | 11          |             | 200          |
| 3677 12     | 12          |             | 200          |
| 3677 13     | 13          |             | 200          |
| 3677 14     | 14          |             | 200          |
| 3677 15     | 15          |             | 200          |
| 3677 16     | 16          |             | 200          |
| 3677 17     | 17          |             | 200          |
| 3677 18     | 18          |             | 200          |
| 3677 19     | 19          |             | 200          |
| 3677 20     | 20          |             | 200          |
| 3677 21     | 21          |             | 200          |
| 3677 22     | 22          |             | 200          |
| 3677 23     | 23          |             | 200          |
| 3677 24     | 24          |             | 200          |
| 3677 25     | 25          |             | 200          |
| 3677 26     | 26          |             | 200          |
| 3677 27     | 27          |             | 200          |

Designation to be completed by further details (e.g. for keying, color or material options).

**Packaging:**  
in a cardboard box