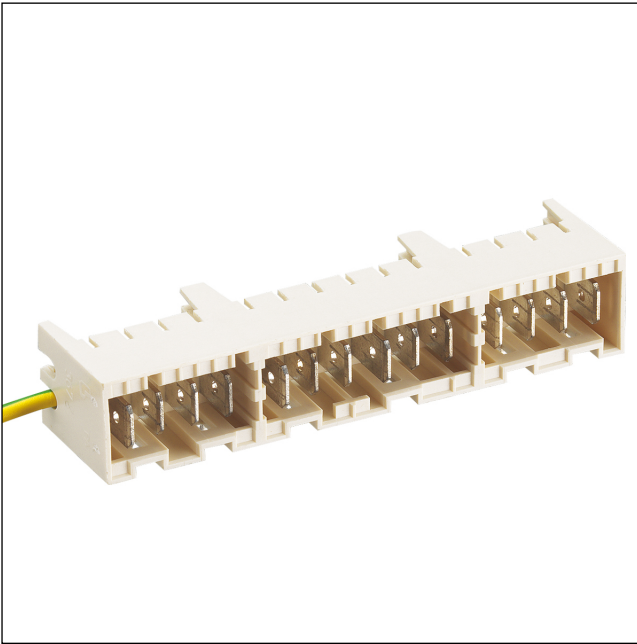


36

3678

RAST 5 connectors, pitch 5.0 mm



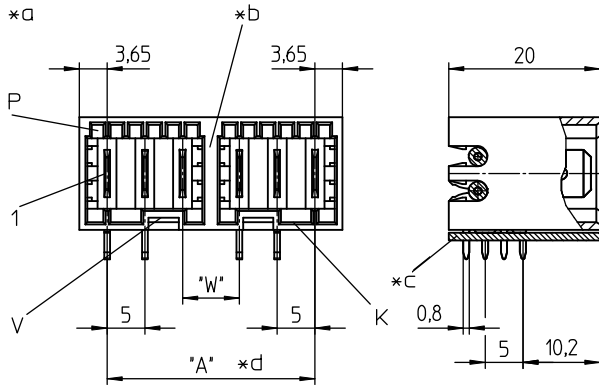
RAST 5 tab header, angular, with lower side lock, free to configure with partitions, neutral and/or protective conductor bridge in insulation displacement technology (IDT)

Approvals:



36

3678



Environmental conditions

Temperature range -40 °C/+120 °C

Materials

Insulating body PA GF, V-0 according to UL94¹
 Contact tab with insulation displacement terminal CuSn, pre-nickel and tin-plated
 Contact tab without insulation displacement terminal CuZn, pre-nickel and tin-plated

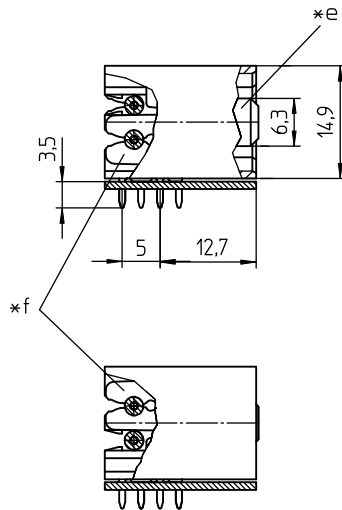
¹ component glow wire resistant (GWT 750 °C), testing acc. to IEC 60695-2-11, assessment acc. to IEC 60335-1 (flame < 2 s)

Mechanical data

Contact tab 6.3 x 0.8 mm according to DIN 42644
 Bridge conductor stranded wire LiY 0.75 mm² according to H05V-KH05V-K

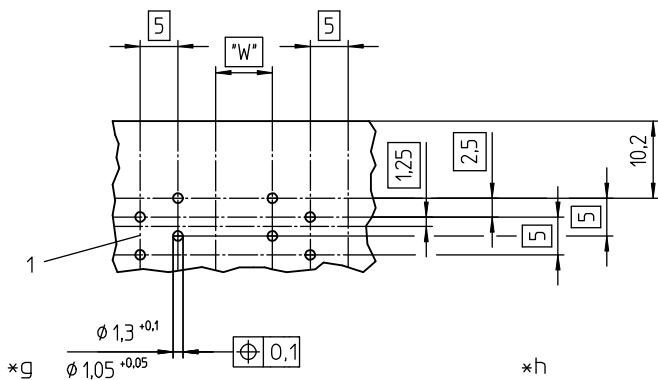
Electrical data (at T_{amb} 20 °C)

Rated current 10 A (T_{amb} 70 °C)
 Rated voltage 250 V AC
 Material group IIIa (IEC)/2 (UL) (CTI ≥ 250)
 Creepage distance 4,2 mm
 Clearance 4,2 mm
 Insulation resistance > 10 GΩ

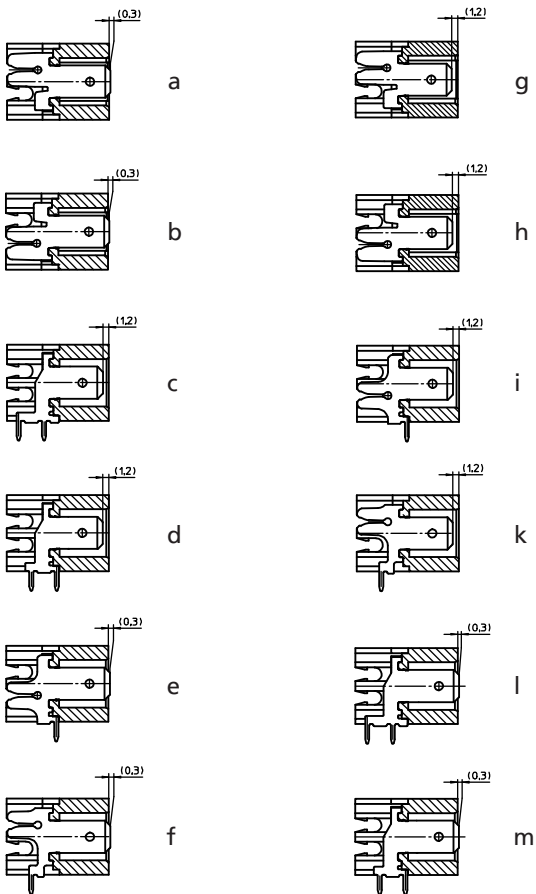


Associated products

Counterparts
 ☞ 3611 ☞ 3615 ☞ 3615-1
 ☞ 3615-2 ☞ 3615-3 ☞ 3623
 ☞ 3623 01 V01 ☞ 3626



types of contacts



- *a K = keying
P = positioning
V = space for lock
- *b partitioning
- *c printed circuit board
- *d $A = (P - 1) \times 5 + (W - 5) \times Y$, max. 135 mm with one-piece insulating body
P = poles
W = 7,5 mm (standard)/10,0 mm
Y = number of partitions (at least 1 partition every 12 contacts)
- *e pre-mating protective contact, protruding 1.5 mm, possible at any position
- *f insulation displacement contacts with neutral/protective conductor bridges
- *g measure for press-fit of solder pins in printed circuit board
- *h printed circuit board layout, solder side view

Designation	Pole Number	PU (Pieces)	MDQ (Pieces)
3678 03	3		200
3678 04	4		200
3678 05	5		200
3678 06	6		200
3678 07	7		200
3678 08	8		200
3678 09	9		200
3678 10	10		200
3678 11	11		200
3678 12	12		200
3678 13	13		200
3678 14	14		200
3678 15	15		200
3678 16	16		200
3678 17	17		200
3678 18	18		200
3678 19	19		200
3678 20	20		200
3678 21	21		200
3678 22	22		200
3678 23	23		200
3678 24	24		200
3678 25	25		200
3678 26	26		200
3678 27	27		200

Designation to be completed by further details (e.g. for keying, color or material options).

Packaging:
in a cardboard box