

37

3741

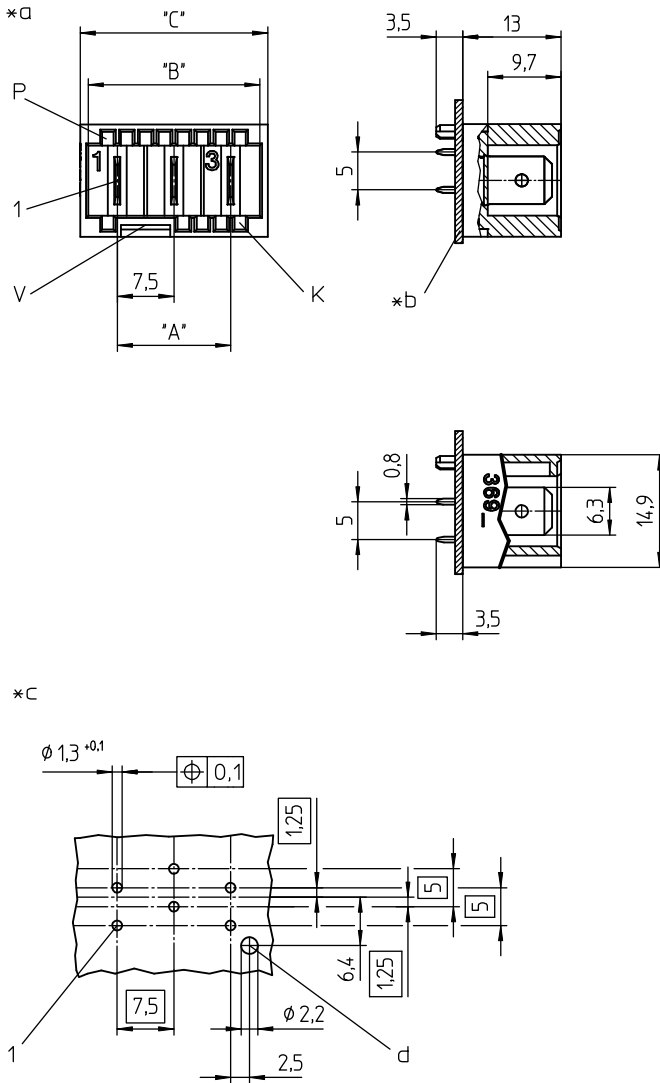
RAST 7.5 Power™ connectors, pitch 7.5 mm



RAST 7.5 Power™ tab header, upright, with positioning spigot

37

3741



- *a K = keying
P = positioning
V = lock
- *b printed circuit board
- *c printed circuit board layout, solder side view
- *d bore hole for positioning spigot

Environmental conditions

Temperature range -40 °C/+120 °C

Materials

Insulating body PA GF, V-0 according to UL94¹
Contact tab CuZn, pre-nickel and silver-plated

¹ component glow wire resistant (GWT 750 °C), testing acc. to IEC 60695-2-11, assessment acc. to IEC 60335-1 (flame < 2 s)

Mechanical data


Contact tab 6.3 x 0.8 mm according to DIN 42644

Keying proposals at www.lumberg.com 

Electrical data (at T_{amb} 20 °C)

Rated current 25 A (T_{amb} 85 °C)
Rated voltage 630 V AC
Material group IIIa (IEC)/2 (UL) (CTI ≥ 250)
Insulation resistance > 10 GΩ

Associated products

Counterparts
 3723

37

3741

Designation	Pole Number	PU (Pieces)	MDQ (Pieces)	Dimensions		
				A (mm)	B (mm)	C (mm)
3741 02	2	250	250	7.5	15.2	17.3
3741 03	3	250	1000	15.0	22.7	24.8
3741 04	4	250	1000	22.5	30.2	32.3
3741 05	5	250	1000	30.0	37.7	39.8

Designation to be completed by further details (e.g. for keying, color or material options).

Packaging:

in bulk, in a cardboard box