

38


3851

Multimodul™ connectors, pitch 2.5 mm



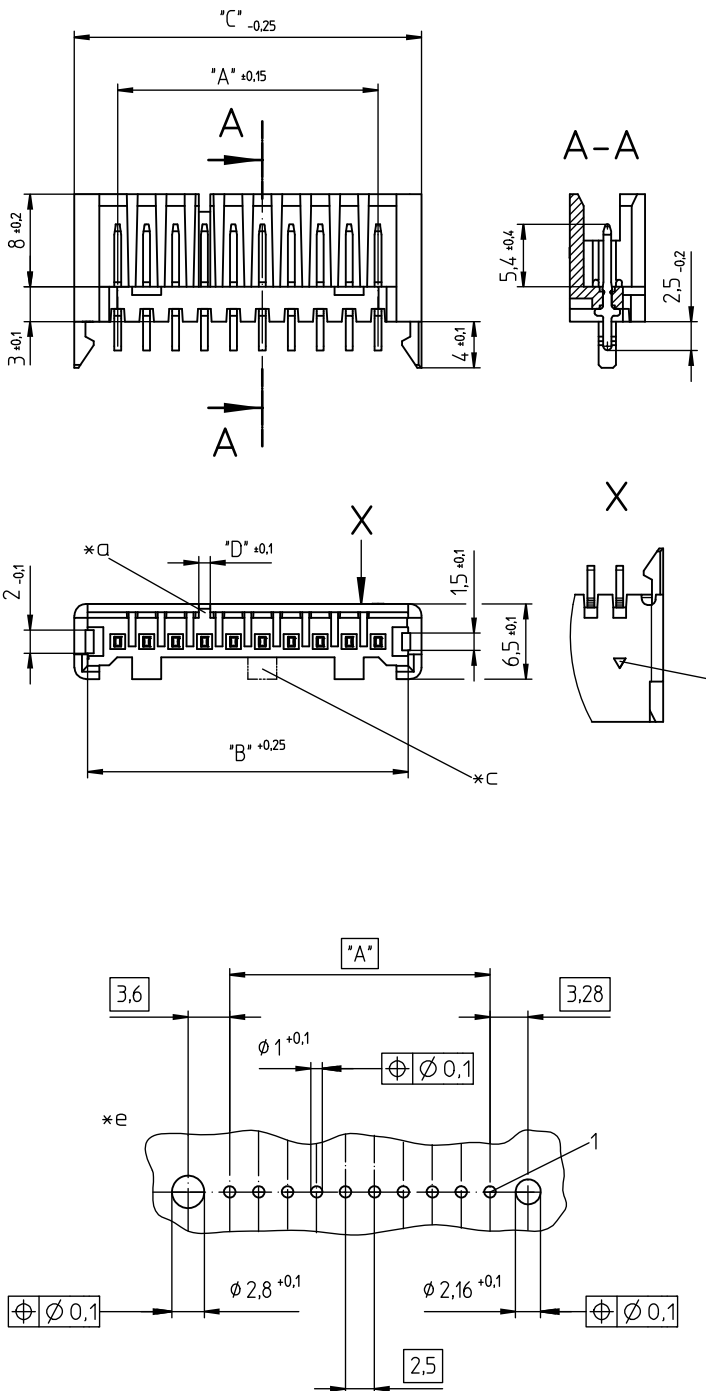
Multimodul™ pin header, upright, with retaining hooks

State: Phasing out

Approvals: 

38

3851



- *a marking contact 1
- *b 2 supports (10 pole version only), 3 supports (11 or more poles)
- *c printed circuit board layout, solder side view

Environmental conditions

Temperature range -40 °C/+120 °C¹

¹ upper limit temperature (insulating body) RTI (electrical) of the UL Yellow Card

Materials

Insulating body PBT GF, V-0 according to UL94 – 3851 ... 00
PA GF, V-0 according to UL94 – 3851 ... 30¹

Contact pin CuZn, pre-nickel and tin-plated

¹ 3851 ... 00: component UL-approved
3851 ... 30: component glow wire resistant (GWT 750 °C), testing acc. to IEC 60695-2-11, assessment acc. to IEC 60335-1 (flame < 2 s)

Mechanical data

Further data proposed keyings on request

Electrical data (at T_{amb} 20 °C)

Rated current 3 A (T_u 60 °C)
Rated voltage 160 V AC
Material group IIIa (IEC)/2 (UL) (CTI ≥ 250)
Creepage distance 1,9 mm
Clearance 1,9 mm
Insulation resistance > 1 GΩ

Associated products

Counterparts
☞ 3800 ☞ 3823 ☞ 4143 01

Designation	Pole Number	PU (Pieces)	MDQ (Pieces)	Dimensions			
				A (mm)	B (mm)	C (mm)	D (mm)
3851 02	2	1000	5000	2.5	7.7	10.0	1.5/1.0 *d
3851 03	3	1000	5000	5.0	10.2	12.5	1.5/1.0 *d
3851 04	4	1000	5000	7.5	12.7	15.0	1.0
3851 05	5	1000	5000	10.0	15.2	17.5	1.0
3851 06	6	500	5000	12.5	17.7	20.0	1.0
3851 07	7	500	5000	15.0	20.2	22.5	1.0
3851 08	8	500	5000	17.5	22.7	25.0	1.0
3851 09	9	500	5000	20.0	25.2	27.5	1.0
3851 10	10	500	5000	22.5	27.7	30.0	1.0
3851 11	11	500	5000	25.0	30.2	32.5	1.0
3851 12	12	500	5000	27.5	32.7	35.0	1.0
3851 13	13	500	5000	30.0	35.2	37.5	1.0
3851 14	14	500	5000	32.5	37.7	40.0	1.0
3851 15	15	500	5000	35.0	40.2	42.5	1.0
3851 16	16	500	5000	37.5	42.7	45.0	1.0
3851 17	17	500	5000	40.0	45.2	47.5	1.0
3851 18	18	500	5000	42.5	47.7	50.0	1.0
3851 19	19	500	5000	45.0	50.2	52.5	1.0
3851 20	20	500	5000	47.5	52.7	55.0	1.0

Designation to be completed by further details (e.g. for keying, color or material options).

Packaging:

in bulk, in a cardboard box