

38

3852

Multimodul™ connectors, pitch 2.5 mm




Multimodul™ pin header, upright, with locking latch

---

State: Phasing out

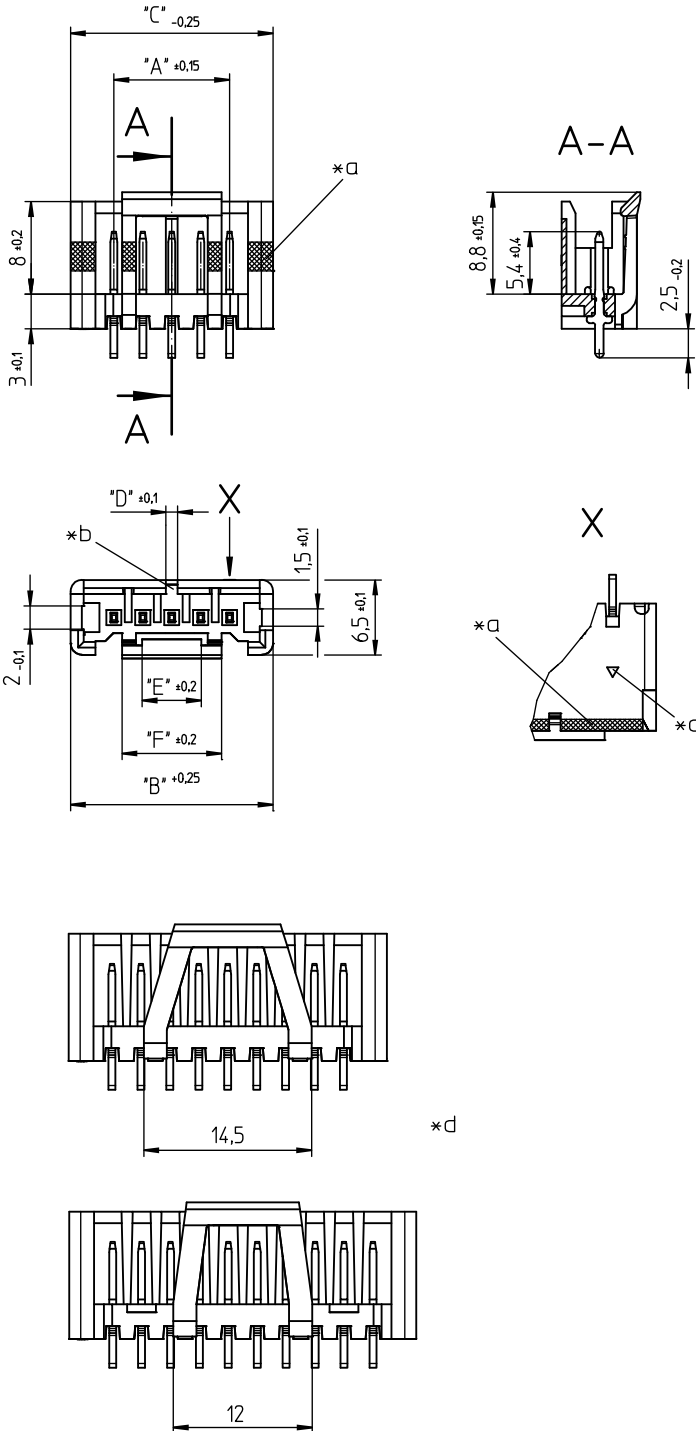
---

Approvals: 

---

38

3852



### Environmental conditions

Temperature range -40 °C/+120 °C<sup>1</sup>

<sup>1</sup> upper limit temperature (insulating body) RTI (electrical) of the UL Yellow Card

### Materials

Insulating body PBT GF, V-0 according to UL94 – 3852 ... 00  
PA GF, V-0 according to UL94 – 3852 ... 30<sup>1</sup>

Contact pin CuZn, pre-nickel and tin-plated

<sup>1</sup> 3852 ... 00: component UL-approved  
3852 ... 30: component glow wire resistant (GWT 750 °C), testing acc. to IEC 60695-2-11, assessment acc. to IEC 60335-1 (flame < 2 s)

### Mechanical data

Further data proposed keyings on request

### Electrical data (at T<sub>amb</sub> 20 °C)

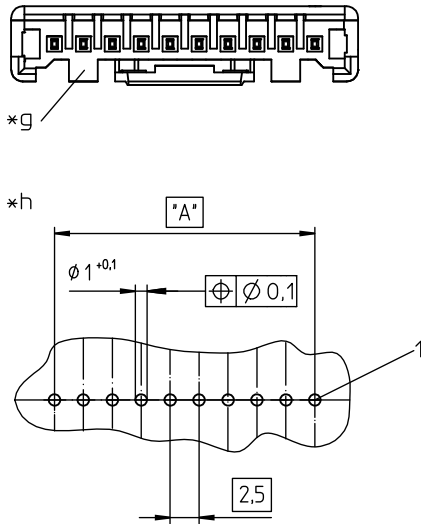
Rated current 3 A (T<sub>u</sub> 60 °C)  
Rated voltage 160 V AC  
Material group IIIa (IEC)/2 (UL) (CTI ≥ 250)  
Creepage distance 1,9 mm  
Clearance 1,9 mm  
Insulation resistance > 1 GΩ

### Associated products

Counterparts  
☞ 3823 ☞ 4143 01

38

3852



- \*a color keying strip
- \*b keying groove
- \*c marking contact 1
- \*d shape of locking latch depending on number of poles
- \*f keying groove width depending on intended counterpart
- \*g 2 supports from 10 poles on
- \*h printed circuit board layout, solder side view

Designation	Pole Number	PU (Pieces)	MDQ (Pieces)	Dimensions					
				A (mm)	B (mm)	C (mm)	D (mm)	E (mm)	F (mm)
3852 02	2	1000	5000	2.5	7.7	10.0	1.5/1.0 *f	1.3	3.6
3852 03	3	1000	5000	5.0	10.2	12.5	1.5/1.0 *f	2.6	6.1
3852 04	4	1000	5000	7.5	12.7	15.0	1.0	5.1	8.6
3852 05	5	1000	5000	10.0	15.2	17.5	1.0	5.1	8.6
3852 06	6	500	5000	12.5	17.7	20.0	1.0	5.1	8.6
3852 07	7	500	5000	15.0	20.2	22.5	1.0	5.1	8.6
3852 08	8	500	5000	17.5	22.7	25.0	1.0	5.1	8.6
3852 09	9	500	5000	20.0	25.2	27.5	1.0	5.1	8.6
3852 10	10	500	5000	22.5	27.7	30.0	1.0	5.1	8.6
3852 11	11	500	5000	25.0	30.2	32.5	1.0	5.1	8.6
3852 12	12	500	5000	27.5	32.7	35.0	1.0	5.1	8.6
3852 13	13	500	5000	30.0	35.2	37.5	1.0	5.1	8.6
3852 14	14	500	5000	32.5	37.7	40.0	1.0	5.1	8.6
3852 15	15	500	5000	35.0	40.2	42.5	1.0	5.1	8.6
3852 16	16	500	5000	37.5	42.7	45.0	1.0	5.1	8.6
3852 17	17	500	5000	40.0	45.2	47.5	1.0	5.1	8.6
3852 18	18	500	5000	42.5	47.7	50.0	1.0	5.1	8.6
3852 19	19	500	5000	45.0	50.2	52.5	1.0	5.1	8.6
3852 20	20	500	5000	47.5	52.7	55.0	1.0	5.1	8.6

Designation to be completed by further details (e.g. for keying, color or material options).

**Packaging:**

in bulk, in a cardboard box