


38

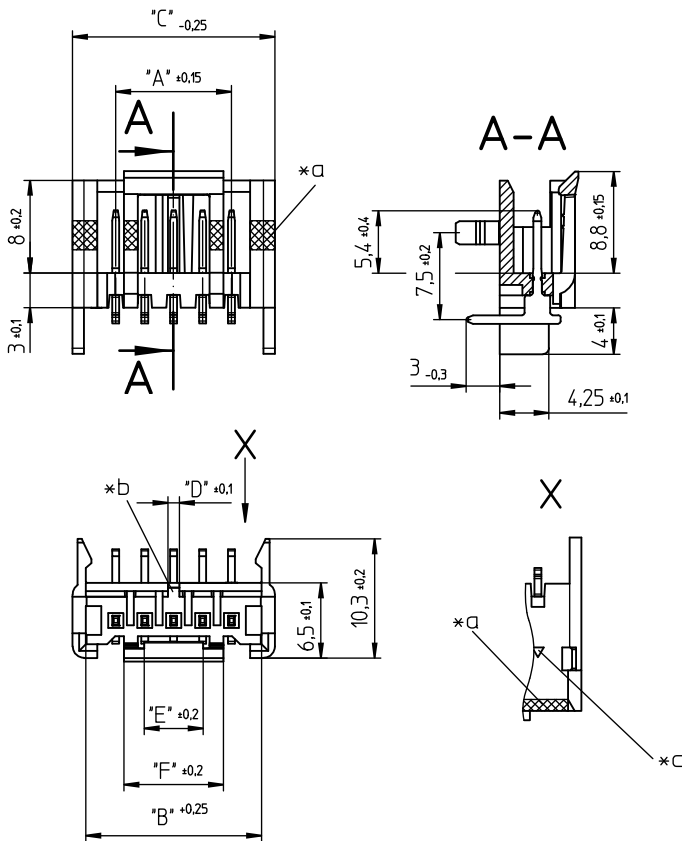
3853

Multimodul™ connectors, pitch 2.5 mm



Multimodul™ pin header, angular, with locking latch, with retaining hooks

Approvals: 



Environmental conditions

Temperature range -40 °C/+120 °C¹

¹ upper limit temperature (insulating body) RTI (electrical) of the UL Yellow Card

Materials

Insulating body PBT GF, V-0 according to UL94 – 3853 ... 00
PA GF, V-0 according to UL94 – 3853 ... 30¹

Contact pin CuZn, pre-nickel and tin-plated

¹ 3853 ... 00: component UL-approved
3853 ... 30: component glow wire resistant (GWT 750 °C), testing acc. to IEC 60695-2-11, assessment acc. to IEC 60335-1 (flame < 2 s)

Mechanical data

Further data proposed keyings on request

Electrical data (at T_{amb} 20 °C)

Rated current	3 A (T _v 60 °C)
Rated voltage	160 V AC
Material group	IIIa (IEC)/3 (UL) (CTI ≥ 175) – 3853 ... 00 IIIa (IEC)/2 (UL) (CTI ≥ 250) – 3853 ... 30
Creepage distance	1,9 mm
Clearance	1,9 mm
Insulation resistance	> 1 GΩ

Associated products

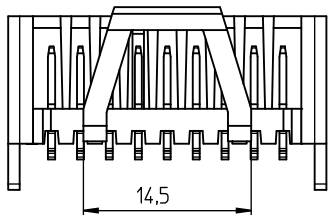
Counterparts

↗ 3823

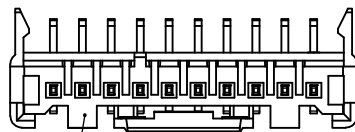
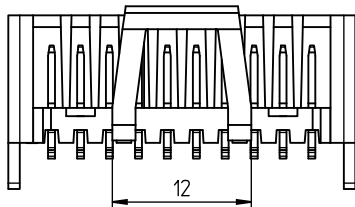
↗ 4143 01

38

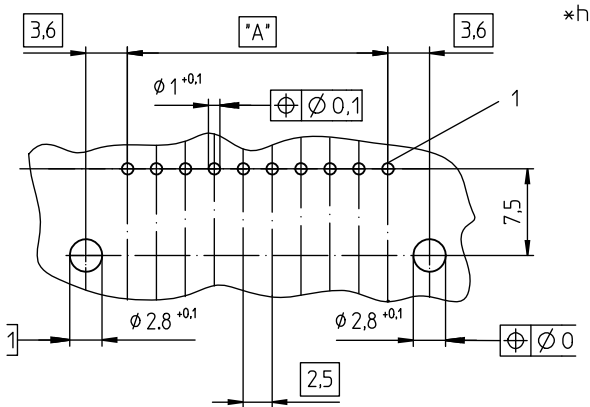
3853



*d



*g



38

3853

-
- *a color keying strip
 - *b keying groove; 2 and 3 pole versions with additional options
 - *c marking contact 1
 - *d shape of locking latch depending on material and pole numbers
 - *f keying groove width depending on intended counterpart
 - *g 2 supports from 10 poles on
 - *h printed circuit board layout, solder side view

Designation	Pole Number	PU (Pieces)	MDQ (Pieces)	Dimensions					
				A (mm)	B (mm)	C (mm)	D (mm)	E (mm)	F (mm)
3853 02	2	1000	5000	2.5	7.7	10.0	1.5/1.0 *f	1.3	3.6
3853 03	3	1000	5000	5.0	10.2	12.5	1.5/1.0 *f	2.6	6.1
3853 04	4	1000	5000	7.5	12.7	15.0	1.0	5.1	8.6
3853 05	5	1000	5000	10.0	15.2	17.5	1.0	5.1	8.6
3853 06	6	500	5000	12.5	17.7	20.0	1.0	5.1	8.6
3853 07	7	500	5000	15.0	20.2	22.5	1.0	5.1	(8.6) *d
3853 08	8	500	5000	17.5	22.7	25.0	1.0	5.1	(8.6) *d
3853 09	9	500	5000	20.0	25.2	27.5	1.0	5.1	(8.6) *d
3853 10	10	500	5000	22.5	27.7	30.0	1.0	5.1	(8.6) *d
3853 11	11	500	5000	25.0	30.2	32.5	1.0	5.1	(8.6) *d
3853 12	12	500	5000	27.5	32.7	35.0	1.0	5.1	(8.6) *d
3853 13	13	500	5000	30.0	35.2	37.5	1.0	5.1	(8.6) *d
3853 14	14	500	5000	32.5	37.7	40.0	1.0	5.1	(8.6) *d
3853 15	15	500	5000	35.0	40.2	42.5	1.0	5.1	(8.6) *d
3853 16	16	500	5000	37.5	42.7	45.0	1.0	5.1	(8.6) *d
3853 17	17	500	5000	40.0	45.2	47.5	1.0	5.1	(8.6) *d
3853 18	18	500	5000	42.5	47.7	50.0	1.0	5.1	(8.6) *d
3853 19	19	500	5000	45.0	50.2	52.5	1.0	5.1	(8.6) *d
3853 20	20	500	5000	47.5	52.7	55.0	1.0	5.1	(8.6) *d

Designation to be completed by further details (e.g. for keying, color or material options).

Packaging:

in bulk, in a cardboard box