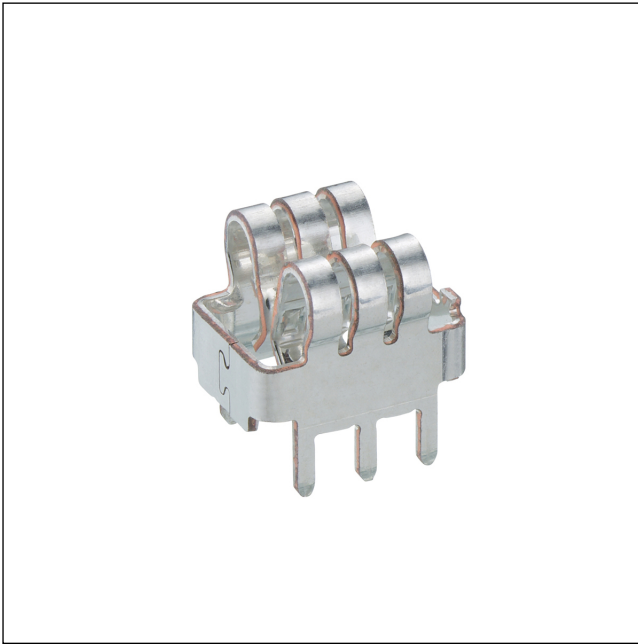


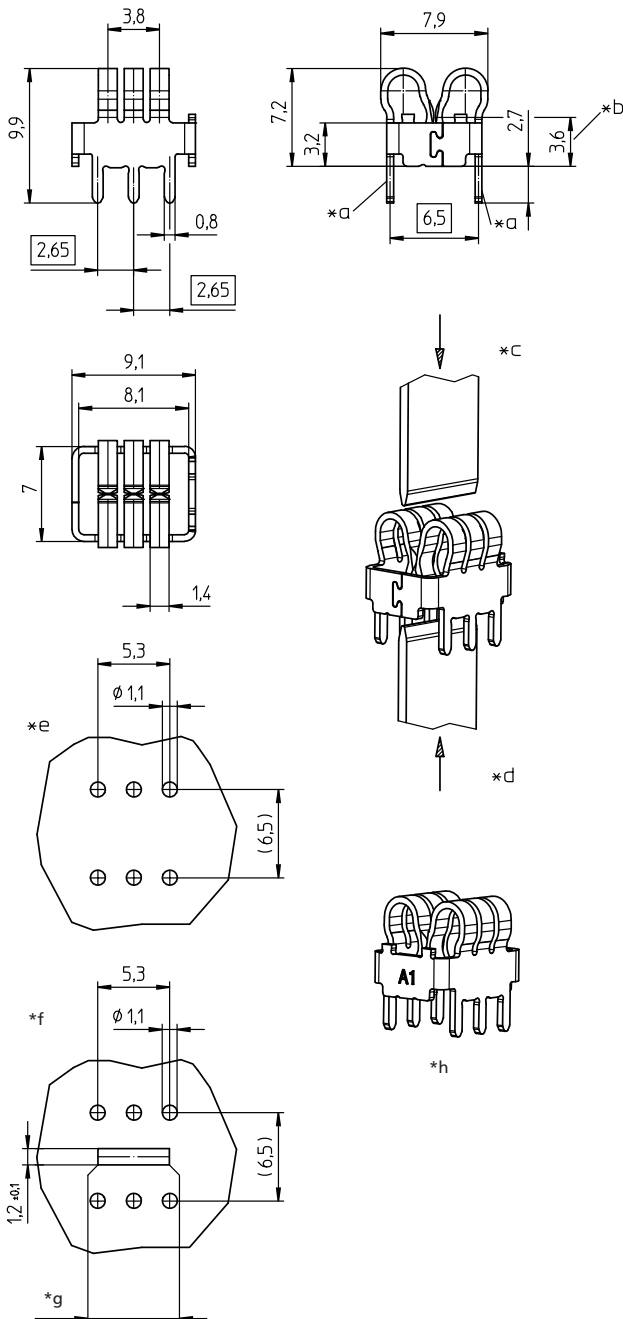
45 4580 03 SP T0,8

High-current contact elements



High-current contact bush, in through hole technology (THT), mateable from top or bottom direction, for tab contacts 0.8 mm, for printed circuit boards

45 4580 03 SP T0,8



Environmental conditions

Temperature range -40 °C/+125 °C

Materials

Contact CuCr alloy, tin-plated

Mechanical data

Mating with tab contact 5.3–7.2 mm x 0.8–1.0 mm applicable for THT soldering on printed circuit board

Mating cycles ≤ 5

Insertion force tab contact 0.8 mm 22 N ± 12 N – top or bottom entry tab contact 1.0 mm 22 N ± 12 N – top or bottom entry¹

Withdrawal force 6 N +10/-3 N¹

¹ measured with polished steel test tabs

Electrical data (at T_{amb} 20 °C)

Contact resistance < 0.5 mΩ

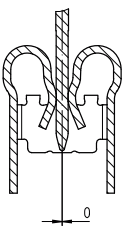
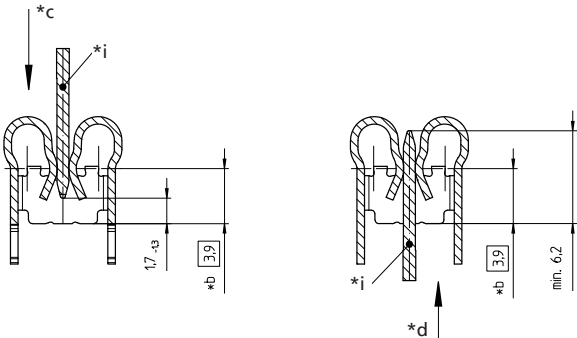
Rated current ≤ 86 A – 4580 03 T0,8 V12¹

¹ depending on the connection to the printed circuit board/busbar, installation situation and heat dissipation

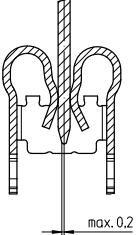
45

4580 03 SP T0,8

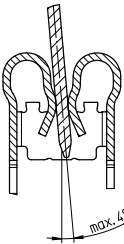
Assembly tolerances for top and bottom entry
 - tab dimensions 4.8 mm x 0.8 mm x length 8 mm
 - larger assembly tolerances possible for lengths > 15 mm



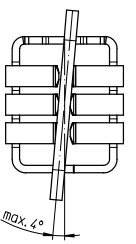
typical mating



permissible lateral offset



permissible tilt

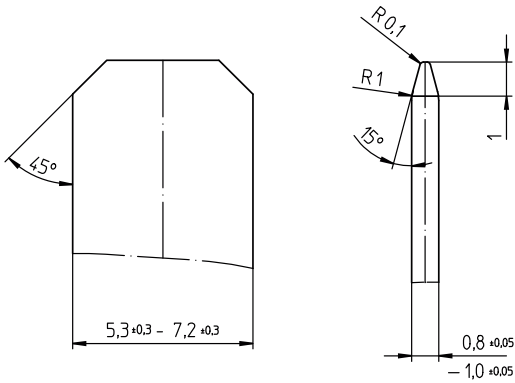


permissible twist

permissible combined tolerances
 tilt max. 2°, twist max. 2°

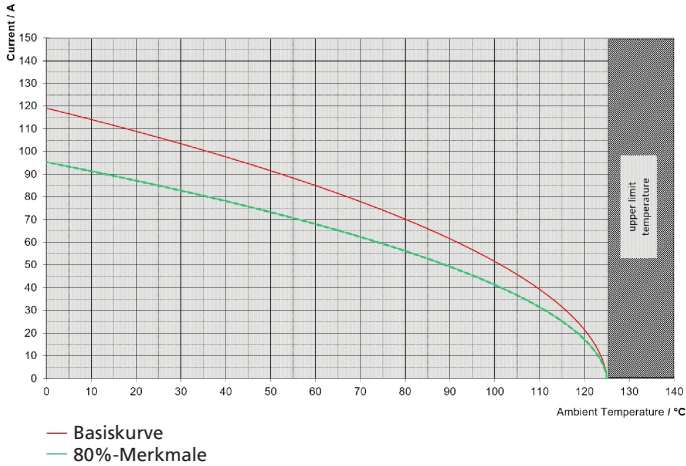
45 4580 03 SP T0,8

Geometry of the mating tab contact



Material to be coordinated with Lumberg.

Derating diagram



Test setup: application example of a closed system, no air circulation, no heat dissipation

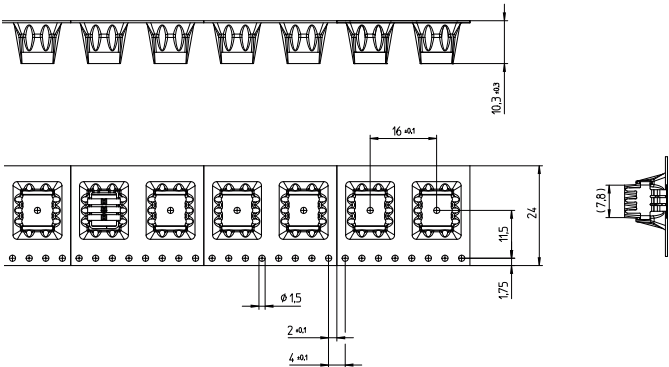
- tab contact: CuZn37 tin-plated, 4.8 mm x 0.8 mm (corresponding to a cross section of 4 mm²)
- connected wire: section 2 x 6 mm²
- printed circuit board: 6-layer, conductor thickness 2 x 105 µm + 4 x 70 µm, track width 6 mm
- ambient temperature: 20 °C

Further test configurations and details upon request.

45

4580 03 SP T0,8

Packaging
 reel: 330 mm/110 mm/32.5 mm
 leader: 400 mm, 25 empty cavities
 trailer: 160 mm, 10 empty cavities



45

4580 03 SP T0,8

Designation	Pole Number	PU (Pieces)	MDQ (Pieces)
4580 03 SP T0,8 V12VP12	1	350	2100

Packaging:

on reel