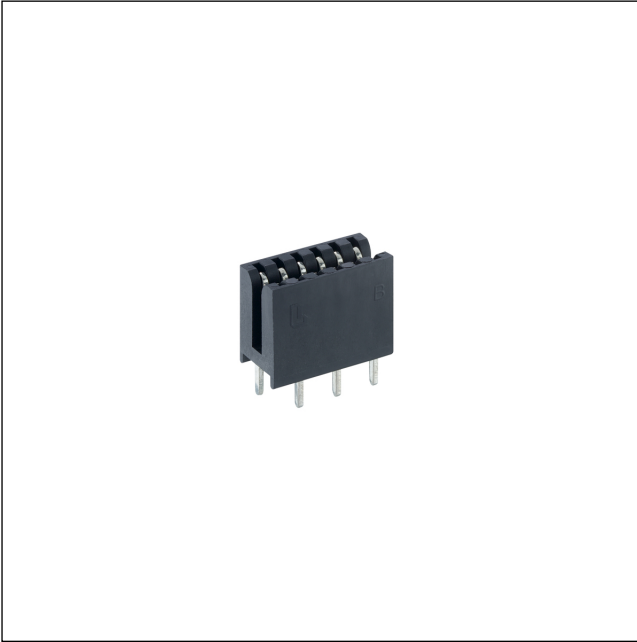


51

5116

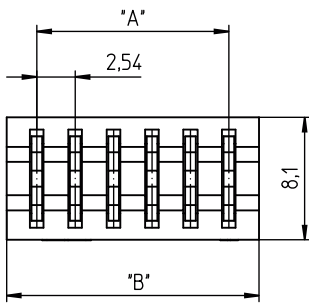
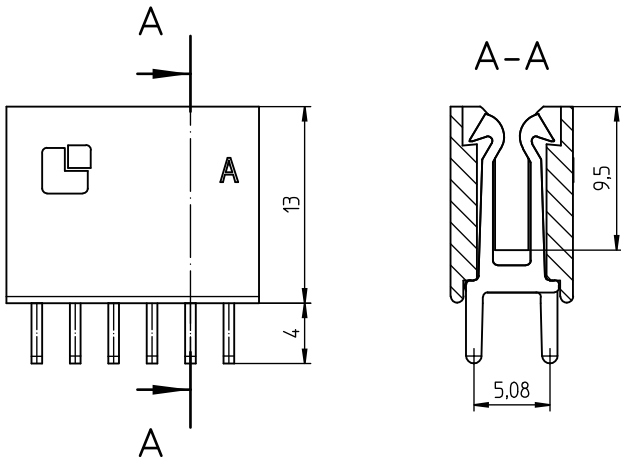
Direct connectors for printed circuit boards, pitch 2.54/5.08 mm



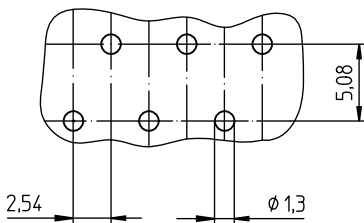
Socket board for direct mating, with solder pins
contact pitch 2.54 mm

51

5116



*a



*a printed circuit board layout, solder side view

Environmental conditions

Temperature range -40 °C/+120 °C¹

¹ upper limit temperature (insulating body) RTI (electrical) of the UL Yellow Card

Materials

Insulating body PA GF, V-0 according to UL94¹

Contact spring CuSn, pre-nickel and tin-plated

¹ component glow wire resistant (GWT 750 °C), testing acc. to IEC 60695-2-11, assessment acc. to IEC 60335-1 (flame < 2 s)

Mechanical data

Mating with printed circuit board 1.5 ± 0.14 mm

Withdrawal force/contact ≥ 0,6 N¹

¹ measured with a polished steel pin, nominal thickness 1.5 mm

Electrical data (at T_{amb} 20 °C)

Contact resistance ≤ 3 mΩ

Rated current 5 A (T_v 60 °C)

Rated voltage 160 V AC

Material group IIIa (IEC)/2 (UL) (CTI ≥ 250)

Creepage distance 1,84 mm

Clearance 1,84 mm

Insulation resistance > 10 GΩ

51

5116

Designation	Pole Number	PU (Pieces)	MDQ (Pieces)	Dimensions	
				A (mm)	B (mm)
5116 04	4	200	2000	7.62	11.62
5116 05	5	200	2000	10.16	14.16
5116 06	6	200	2000	12.7	16.7

Packaging:

in bulk, in a cardboard box or a plastic bag