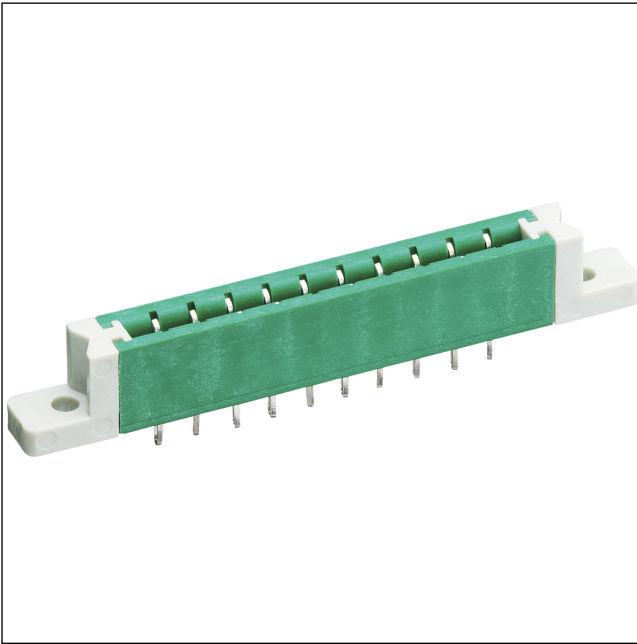


51

5 UF

Direct connectors for insert cards, pitch 2.5/2.54/5.0/ 5.08 mm

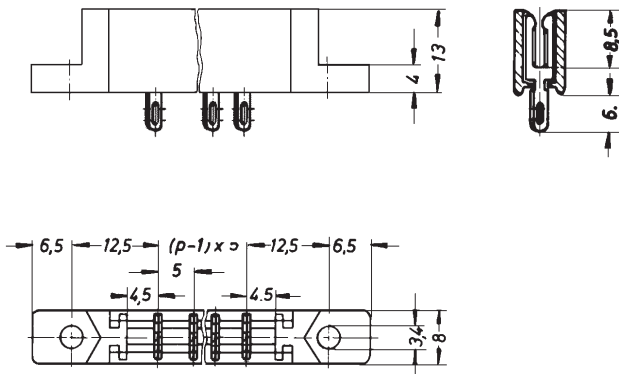


Socket board for direct mating, with mounted pair of flanges F, with solder eyes

State: Phasing out

51

5 UF



Environmental conditions

Temperature range -25 °C/+100 °C

Materials

Insulating body PPO
Contact spring CuSn, pre-nickel and tin-plated
Flange PC

Mechanical data

Mating with printed circuit board 1.5 ± 0.14 mm

Electrical data (at T_{amb} 20 °C)

Contact resistance ≤ 3 mΩ
Rated current 5 A
Rated voltage 250 V AC
Rated impulse voltage ≥ 3,0 kV

Associated products

Accessories

☞ FF

☞ SP 1

Designation	Pole Number	PU (Pieces)	MDQ (Pieces)
5 UF 03	3	200	2000
5 UF 04	4	200	2000
5 UF 05	5	200	2000
5 UF 06	6	200	2000
5 UF 07	7	200	2000
5 UF 08	8	200	2000
5 UF 09	9	200	2000
5 UF 10	10	200	2000
5 UF 11	11	200	2000
5 UF 12	12	200	2000
5 UF 13	13	200	2000
5 UF 14	14	200	2000
5 UF 15	15	200	2000
5 UF 16	16	200	2000
5 UF 17	17	200	2000
5 UF 18	18	200	2000
5 UF 19	19	200	2000
5 UF 20	20	200	2000
5 UF 21	21	200	2000
5 UF 22	22	200	2000
5 UF 23	23	200	2000
5 UF 24	24	200	2000
5 UF 25	25	200	2000
5 UF 26	26	200	2000
5 UF 27	27	200	2000
5 UF 28	28	200	2000
5 UF 29	29	200	2000
5 UF 30	30	200	2000
5 UF 31	31	200	2000

Packaging:

in bulk, in a cardboard box