

61 6320

Screw terminal blocks, pitch 3.5/5.0/10.0 mm

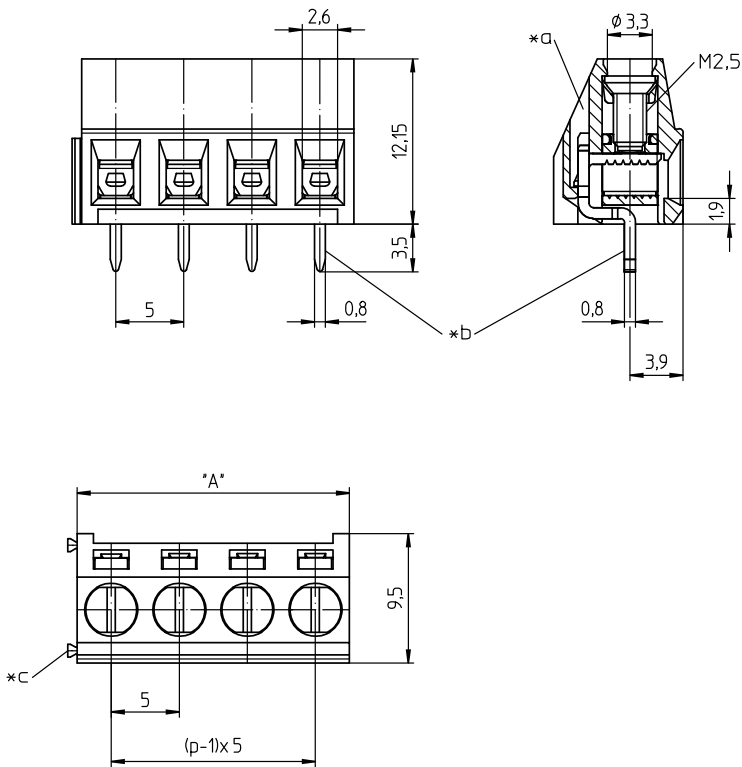


Miniature screw terminal block, with lift clamp without protection against misplacing, upright version, with test hole, consecutive placement without loss of pitch contact pitch 5.0 mm

Approvals:



61 6320



- \*a hole for test spike  $\varnothing 1.3$  mm
- \*b solder pin for printed circuit board bore hole  $\varnothing 1.3$  mm
- \*c dovetail joint without loss of pitch

#### Environmental conditions

Temperature range	-25 °C/+125 °C <sup>1</sup>
<sup>1</sup> upper limit temperature (insulating body) RTI (electrical) of the UL Yellow Card	

#### Materials

Insulating body	PA, V-2 according to UL94
Clamp	steel, zinc-plated and chromatiert
Wire protector	CuZn, pre-nickel and tin-plated
Screw	steel, zinc-plated and chromatiert

#### Mechanical data

Screw size	M2.5
Tightening torque screw	0.4 Nm

#### Connectable conductors for screw clamp

Section stranded wire	0.2–2.5 mm <sup>2</sup> (VDE) AWG 24–14 (UL)
Section stranded wire with ferrule	0.2–1.5 mm <sup>2</sup> (AWG 24–16)
Section solid wire	0.2–2.5 mm <sup>2</sup> (VDE) AWG 24–14 (UL)
Stripping length	7.0 ± 0.5 mm

#### Electrical data (at T<sub>amb</sub> 20 °C)

Rated current	16 A (T <sub>amb</sub> 100 °C, VDE) 16 A (UL)
Rated voltage	250 V AC (VDE) 300 V (UL) <sup>1</sup>
Material group	I (IEC)/0 (UL) (CTI ≥ 600) <sup>2</sup>
Creepage distance	3,6 mm
Clearance	3,4 mm
Insulation resistance	> 10 GΩ

<sup>1</sup> according to IEC 60664/DIN EN 60664, CTI UL classification according to ANSI/UL 746A

<sup>2</sup> nach IEC 60664/DIN EN 60664, CTI-UL-Klassifizierung nach ANSI/UL 746A

61

6320

Designation	Pole Number	PU (Pieces)	MDQ (Pieces)	Dimensions A (mm)
6320 02	2	200	1000	10
6320 03	3	200	1000	15
6320 04	4	200	1000	20

**Packaging:**

in bulk, in a cardboard box