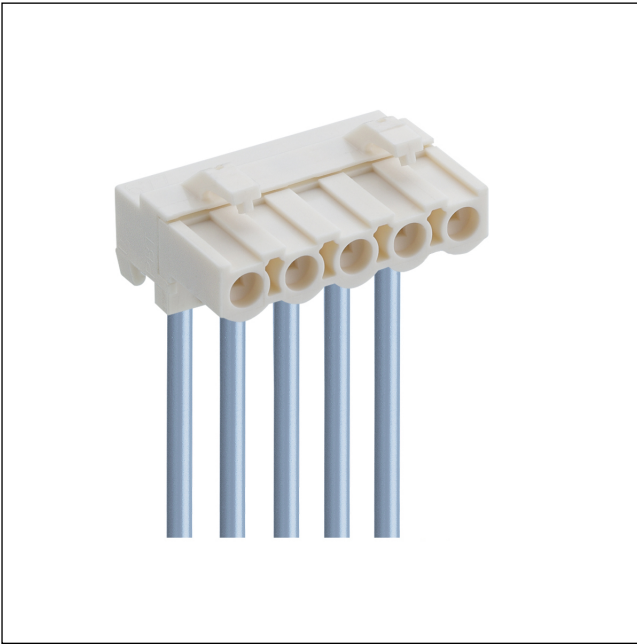


67

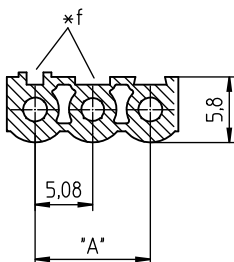
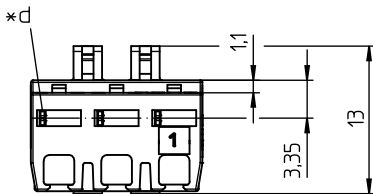
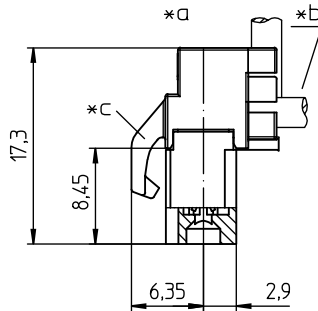
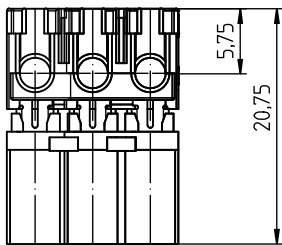
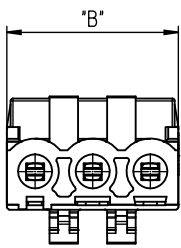
6770

Pluggable terminal blocks on pin headers, pitch 5.08 mm



Pluggable terminal block, insulation displacement technique (IDT), with locking and test hole, cable departure 90° or 180° to plugging direction, consecutive placement without loss of pitch

67 6770



Environmental conditions

Temperature range -25 °C/+100 °C¹

¹ upper limit temperature (insulating body) RTI (electrical) of the UL Yellow Card

Materials

Insulating body PBT, V-0 according to UL94
Contact spring CuSn, tin-plated


Mechanical data

Insertion force/contact $\leq 5 \text{ N}^1$

Withdrawal force/contact $\geq 2 \text{ N}^1$

¹ measured with a polished square steel pin, nominal thickness 1.0 mm

Connectable conductors for IDT area





Construction discrete conductor, notched flat cable 5.08 mm
Section min. 0,20 mm²
Section max. 0,75 mm²
Insulation diameter $\leq 2,5 \text{ mm}$
Approved cables at www.lumberg.com 

Electrical data (at T_{amb} 20 °C)

Contact resistance $\leq 5 \text{ m}\Omega$
Rated current 6 A (0,75 mm², T_v70 °C)
Rated voltage 250 V AC¹
Material group IIIa (CTI ≥ 250)¹
Overvoltage category III (2,5 kV)¹
Creepage distance $\geq 3,2 \text{ mm}$
Clearance $\geq 3,2 \text{ mm}$
Insulation resistance $> 10 \text{ G}\Omega$

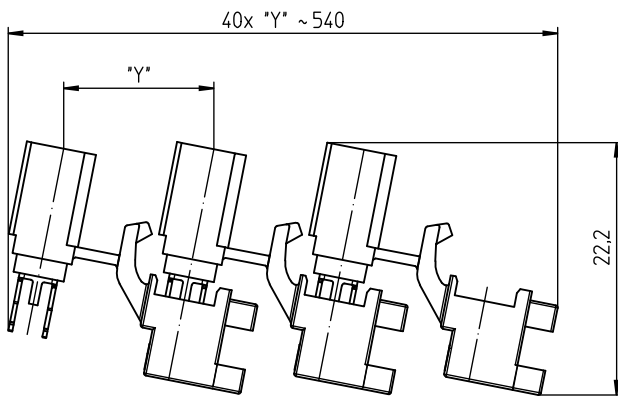
¹ according to IEC 60664/DIN EN 60664, CTI UL classification according to ANSI/UL 746A

Associated products

Counterparts
 ME 010-508  ME 020-508  ME 030-508
 ME 040-508

67

6770



- *a terminated connector
- *b cable departure 90° or 180°
- *c locking
- *d test hole
- *f keying option

67

6770

Designation	Pole Number	PU (Pieces)	MDQ (Pieces)	Dimensions	
				A (mm)	B (mm)
6770 02	2	2640	2640	5.08	10.06
6770 03	3	1680	1680	10.16	15.14
6770 04	4	1200	1200	15.24	20.22
6770 05	5	960	960	20.32	25.30
6770 06	6	720	720	25.40	30.38
6770 07	7	720	720	30.48	35.46

Packaging:

chained, in a cardboard box