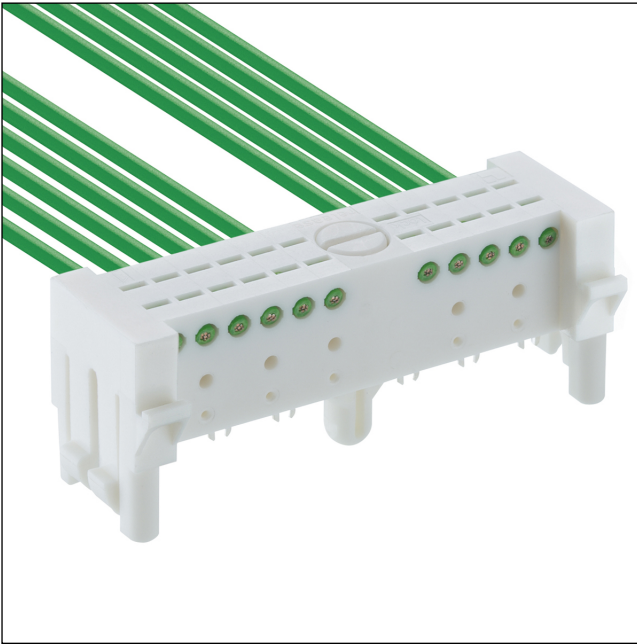


73

733500

SmartSKEDD direct connectors, pitch 2.5 mm



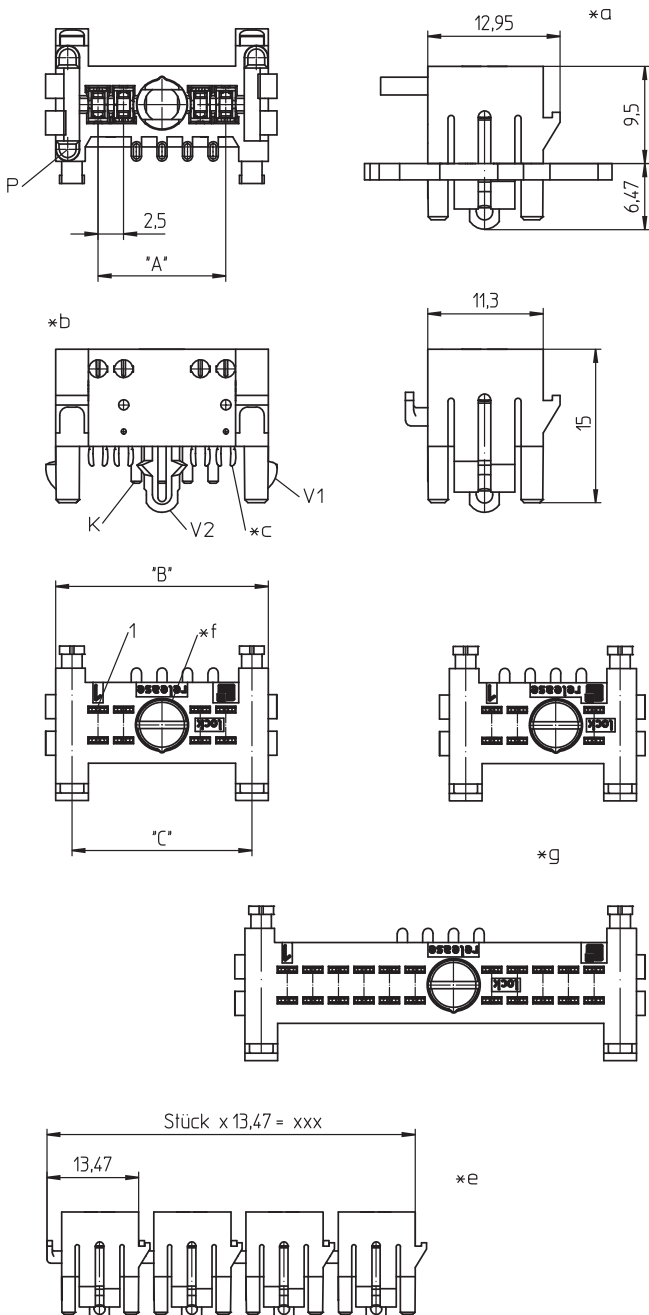
SmartSKEDD direct connector, insulation displacement technology (IDT), with keying pins, positioning spigot and double locking on the printed circuit board contact pitch 2.5 mm

---

Approvals:  pending

---

73 733500



### Environmental conditions

Temperature range -40 °C/+130 °C<sup>1</sup>

<sup>1</sup> upper limit temperature (insulating body) RTI (electrical) of the UL Yellow Card

### Materials

Insulating body PBT, V-0 nach UL94<sup>1</sup>

Contact spring CuSn, silver-plated

<sup>1</sup> material halogen-free, GWFI 850 °C (0,40 mm), GWIT 775 °C (0,40 mm)

### Mechanical data

Mating with printed circuit board 1.6 ± 0.14 mm

Insertion force/contact ≤ 3 N

Withdrawal force/contact ≥ 3 N

Retaining force/locking ≥ 90 N

### Connectable conductors for IDT area

Construction discrete conductor, notched flat cable 2.5 mm

Section min. 0,22 mm<sup>2</sup>

Section max. 0,38 mm<sup>2</sup>

Insulation diameter ≤ 1.6 mm

Approved cables at [www.lumberg.com](http://www.lumberg.com) 

### Electrical data (at T<sub>amb</sub> 20 °C)

Contact resistance ≤ 5 mΩ

Rated current 4 A (T<sub>amb</sub> 85 °C)

Rated voltage 50 V AC<sup>1</sup>

Material group I (IEC)/0 (UL) (CTI ≥ 600)<sup>1</sup>

Creepage distance 0,60 mm

Clearance 0,60 mm


Insulation resistance > 1 GΩ

<sup>1</sup> according to IEC 60664/DIN EN 60664, CTI UL classification according to ANSI/UL 746A

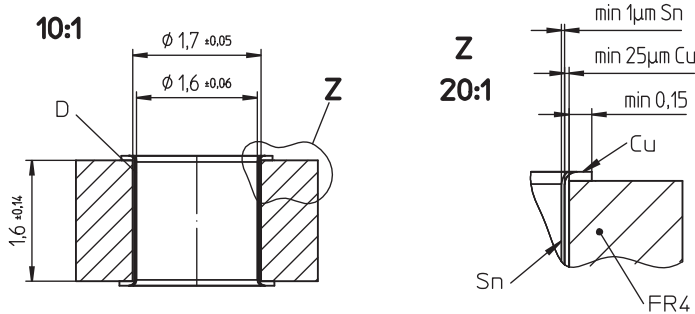
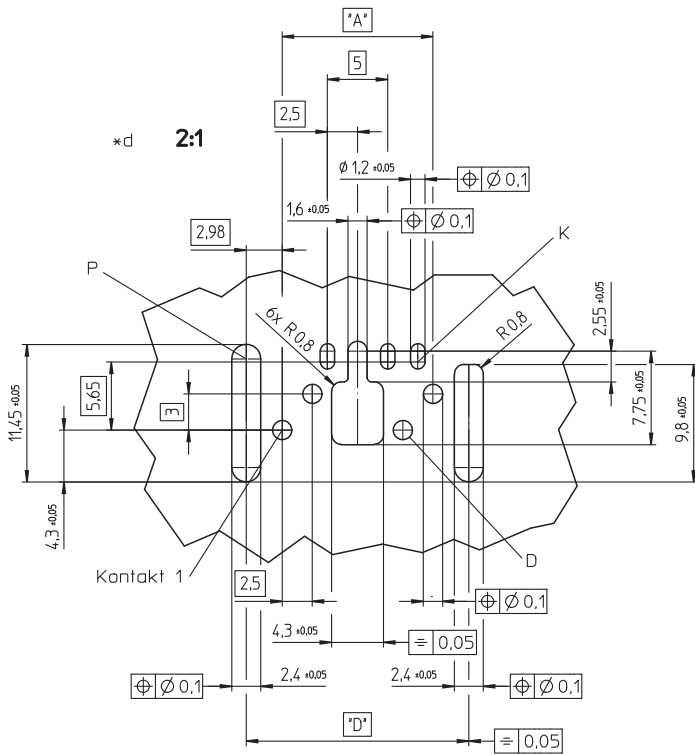
### Associated products

Harnessing equipment

 HA7335e

 HA7335e-CA

73 733500



- \*a terminated connector
- \*b K = keying  
V1 = primary lock  
V2 = secondary lock
- \*c SKEDD contact area
- \*d printed circuit board layout, components side view  
P = positioning  
D = plated-through hole ( $\varnothing 1.6 \text{ mm} \pm 0.06$  according to IEC/EN/DIN 60352-5)
- \*e chaining of the component parts (state of delivery)
- \*f secondary lock, pluggable in position "lock" (state of delivery)
- \*g uneven pole number, locking pin shifted by 2.5 mm from center towards Lumberg logo

73

733500

Designation	Pole Number	PU (Pieces)	MDQ (Pieces)	Dimensions			
				A (mm)	B (mm)	C (mm)	D (mm)
733500 03	3	1260	1260	10.0	18.3	15.1	15.95
733500 04	4	945	945	12.5	20.8	17.6	18.45
733500 05	5	945	945	15.0	23.3	20.1	20.95
733500 06	6	945	945	17.5	25.8	22.6	23.45
733500 07	7	630	630	20.0	28.3	25.1	25.95
733500 08	8	630	630	22.5	30.8	27.6	28.45
733500 09	9	630	630	25.0	33.3	30.1	30.95
733500 10	10	630	630	27.5	35.8	32.6	33.45
733500 11	11	630	630	30.0	38.3	35.1	35.95

**Packaging:**

chained, in a cardboard box