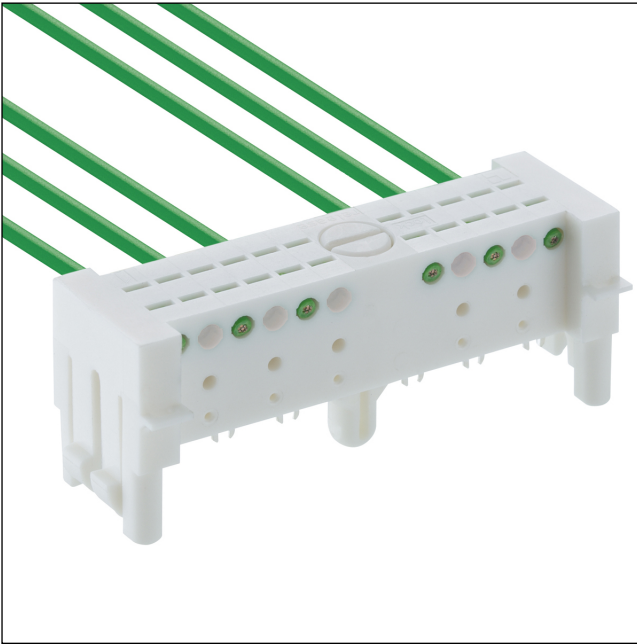


73

733510

SmartSKEDD direct connectors, pitch 2.5 mm



SmartSKEDD direct connector, insulation displacement technology (IDT), with keying pins, positioning spigot and double locking on the printed circuit board  
contact pitch 5.0 mm

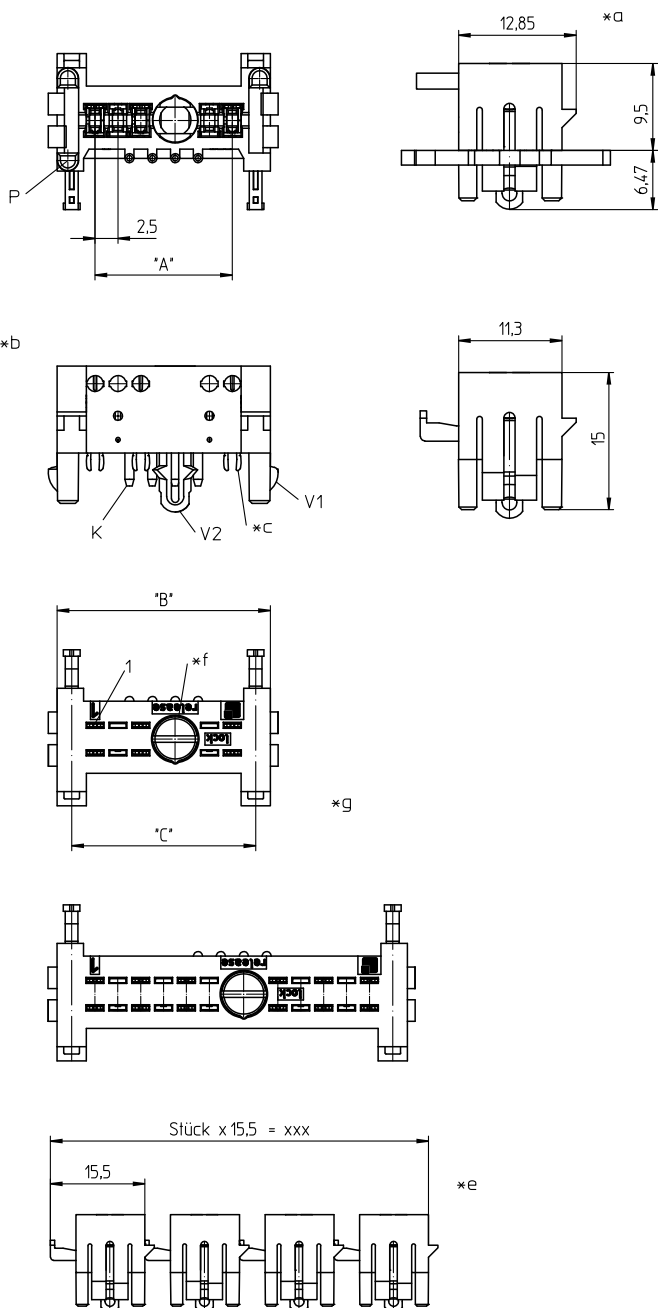
---

State: New, under preparation

---

73

733510



### Environmental conditions

Temperature range -40 °C/+130 °C<sup>1</sup>

<sup>1</sup> upper limit temperature (insulating body) RTI (electrical) of the UL Yellow Card

### Materials

Insulating body PBT, V-0 nach UL94<sup>1</sup>

Contact spring CuSn, silver-plated

<sup>1</sup> material halogen-free, GWFI 850 °C (0,40 mm), GWIT 775 °C (0,40 mm)

### Mechanical data

Mating with printed circuit board 1.6 ± 0.14 mm

Insertion force/contact ≤ 3 N

Withdrawal force/contact ≥ 3 N

Retaining force/locking ≥ 90 N

### Connectable conductors for IDT area

Construction discrete conductor, notched flat cable 5.0 mm

Section min. 0,22 mm<sup>2</sup>

Section max. 0,38 mm<sup>2</sup>

Insulation diameter ≤ 1.6 mm

Approved cables at [www.lumberg.com](http://www.lumberg.com) 

### Electrical data (at T<sub>amb</sub> 20 °C)

Contact resistance ≤ 5 mΩ

Rated current 4 A (T<sub>amb</sub> 85 °C)

Rated voltage 500 V AC<sup>1</sup>

Material group I (IEC)/0 (UL) (CTI ≥ 600)<sup>1</sup>

Creepage distance 3,0 mm


Clearance 3,0 mm


Insulation resistance > 1 GΩ

<sup>1</sup> according to IEC 60664/DIN EN 60664, CTI UL classification according to ANSI/UL 746A

### Associated products

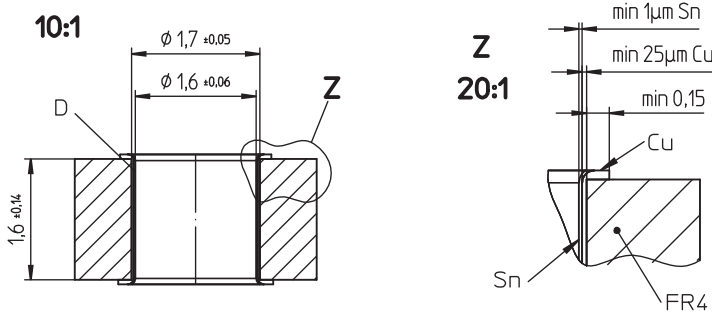
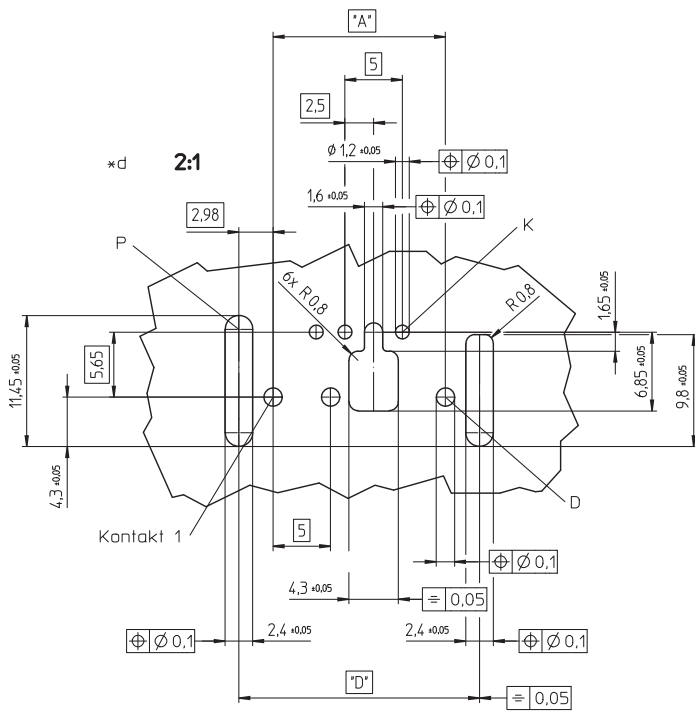
Harnessing equipment

 HA7335e

 HA7335e-CA

73

733510



- \*a terminated connector
- \*b K = keying  
V1 = primary lock  
V2 = secondary lock
- \*c SKEDD contact area
- \*d printed circuit board layout, components side view  
P = positioning  
D = plated-through hole ( $\varnothing 1.6 \text{ mm} \pm 0.06$  according to IEC/  
EN/DIN 60352-5)
- \*e chaining of the component parts (state of delivery)
- \*f secondary lock, pluggable in position "lock" (state of delivery)
- \*g locking pin shifted by 2.5 mm from center towards Lumberg logo

73

733510

Designation	Pole Number	PU (Pieces)	MDQ (Pieces)	Dimensions			
				A (mm)	B (mm)	C (mm)	D (mm)
733510 03	3	810	810	15.0	23.3	20.1	21.0
733510 04	4	540	540	20.0	28.3	25.1	26.0
733510 05	5	540	540	25.0	33.3	30.1	31.0
733510 06	6	540	540	30.0	38.3	35.1	36.0

**Packaging:**

chained, in a cardboard box