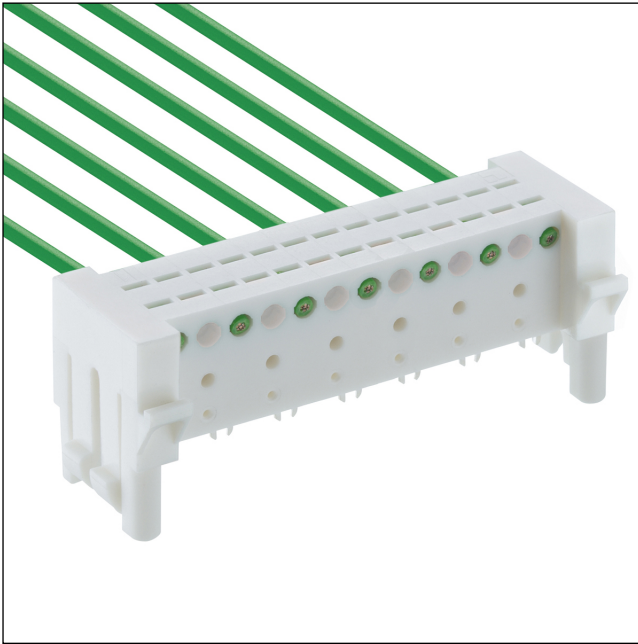


73

733530

SmartSKEDD direct connectors, pitch 2.5 mm

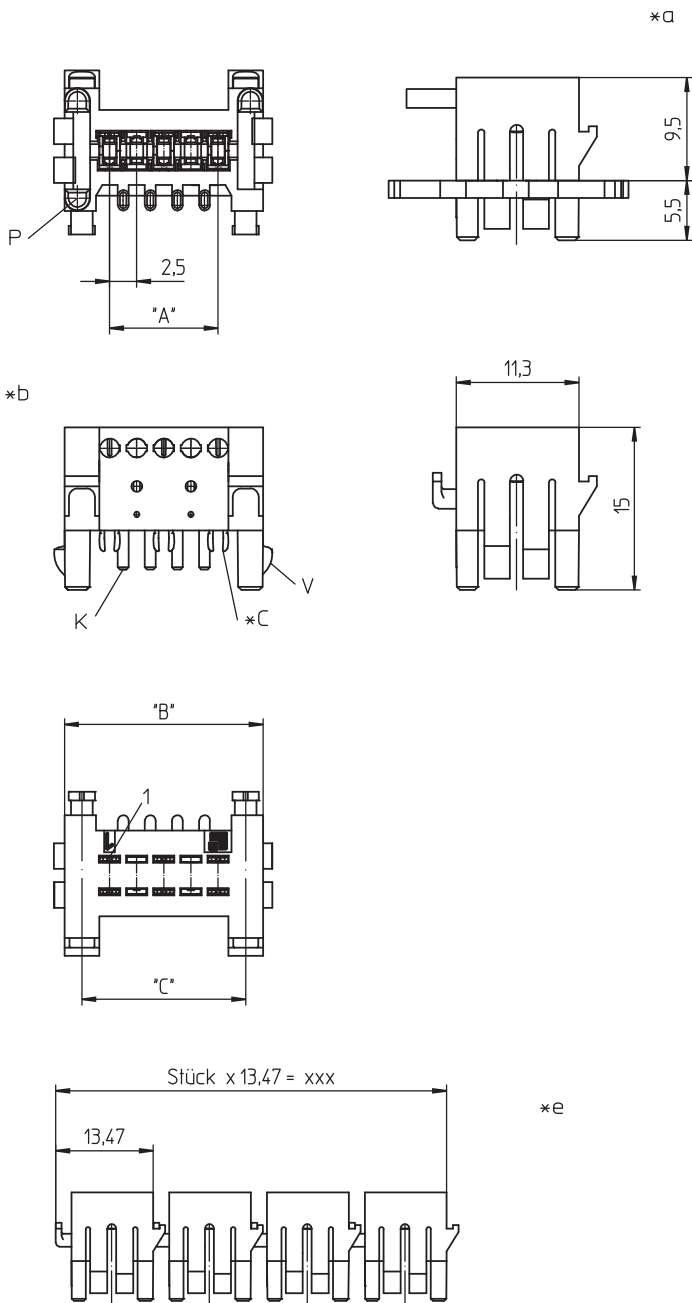


SmartSKEDD direct connector, insulation displacement technology (IDT), with keying pins, positioning spigot and locking on the printed circuit board
contact pitch 5.0 mm

State: New, under preparation

Approvals:  pending

73 733530



Environmental conditions

Temperature range -40 °C/+130 °C¹
¹ upper limit temperature (insulating body) RTI (electrical) of the UL Yellow Card


Materials

Insulating body PBT, V-0 nach UL94¹
 Contact spring CuSn, silver-plated
¹ material halogen-free, GWFI 850 °C (0,40 mm), GWIT 775 °C (0,40 mm)

Mechanical data

Mating with printed circuit board 1.6 ± 0.14 mm
 Insertion force/contact ≤ 3 N
 Withdrawal force/contact ≥ 3 N
 Retaining force/locking ≥ 50 N

Connectable conductors for IDT area



Construction discrete conductor, notched flat cable 2.5 mm
 Section min. 0,22 mm²
 Section max. 0,38 mm²
 Insulation diameter ≤ 1.6 mm
 Approved cables at www.lumberg.com 

Electrical data (at T_{amb} 20 °C)

Contact resistance ≤ 5 mΩ
 Rated current 4 A (T_{amb} 85 °C)
 Rated voltage 500 V AC¹
 Material group I (IEC)/0 (UL) (CTI ≥ 600)¹
 Creepage distance 3,0 mm
 Clearance 3,0 mm
 Insulation resistance > 1 GΩ

¹ according to IEC 60664/DIN EN 60664, CTI UL classification according to ANSI/UL 746A

Associated products

Harnessing equipment
 HA7335e  HA7335e-CA

73

733530

Designation	Pole Number	PU (Pieces)	MDQ (Pieces)	Dimensions			
				A (mm)	B (mm)	C (mm)	D (mm)
733530 02	2	1575	1575	17.5	25.8	22.6	23.45
733530 03	3	1260	1260	5.0	13.3	10.1	10.95
733530 04	4	945	945	7.5	15.8	12.6	13.45
733530 05	5	630	630	10.0	18.3	15.1	15.95
733530 06	6	630	630	12.5	20.8	17.6	18.45
733530 07	7	630	630	15.0	23.3	20.1	20.95

Packaging:

chained, in a cardboard box