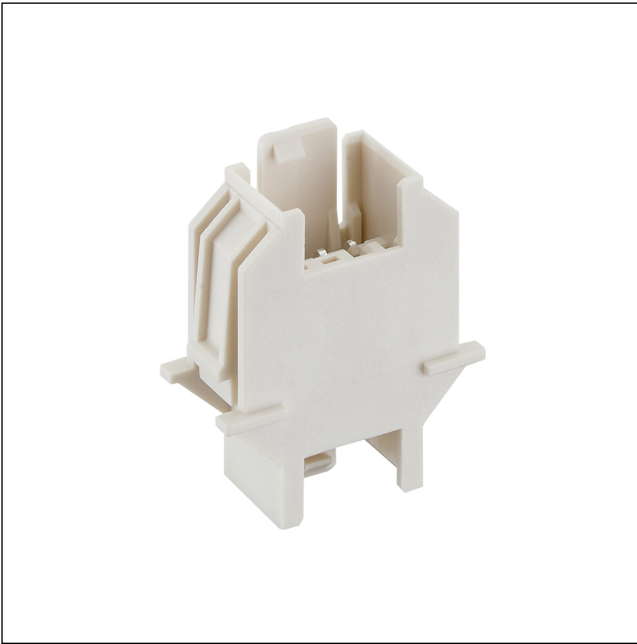


35

83545

RAST 2.5 connectors, pitch 2.5/5.0 mm



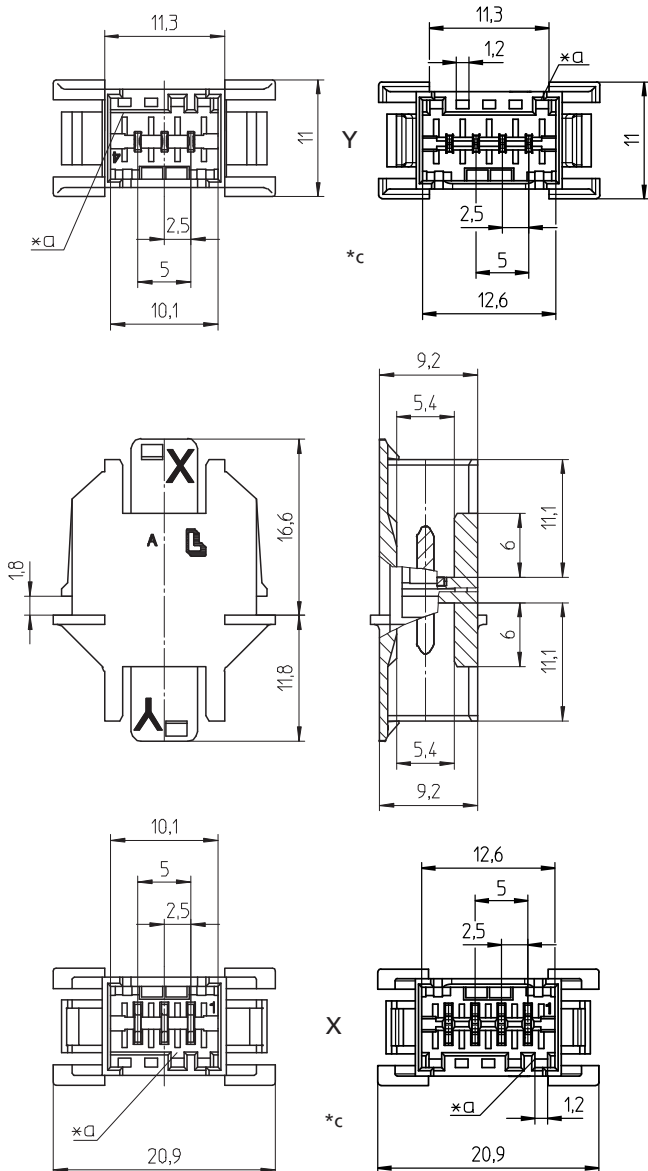
RAST 2.5 double chassis pin header, with locking latches  
contact pitch 2.5 mm

Approvals:



35

83545



### Environmental conditions

Temperature range -40 °C/+120 °C<sup>1</sup>

<sup>1</sup> upper limit temperature (insulating body) RTI (electrical) of the UL Yellow Card

### Materials

Insulating body PA GF, V-0 according to UL94<sup>1</sup>

Contact pin CuZn, pre-nickel and tin-plated

<sup>1</sup> component glow wire resistant acc. to IEC 60695-2-11 and IEC 60335-1 respectively (GWT 750 °C without flame)

### Mechanical data

Keying proposals at [www.lumberg.com](http://www.lumberg.com) 

### Electrical data (at T<sub>amb</sub> 20 °C)

Rated current 4 A (T<sub>u</sub> 60 °C)  
2 A (T<sub>u</sub> 120 °C)

Rated voltage 160 V AC (Verschmutzungsgrad 2)  
40 V AC (Verschmutzungsgrad 3)

Material group IIIa (CTI ≥ 250)

Creepage distance 1,9 mm

Clearance 1,9 mm


Insulation resistance > 1 GΩ

### Associated products

Counterparts

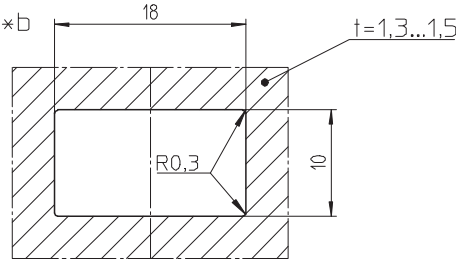
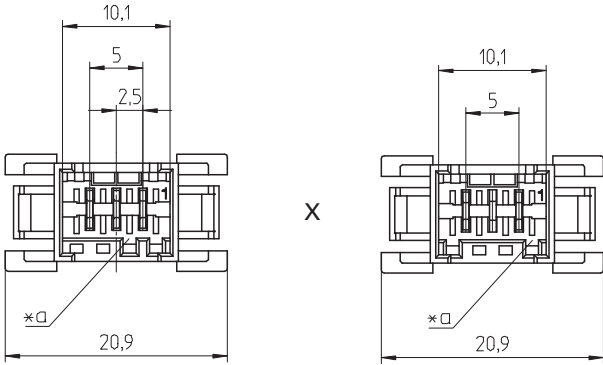
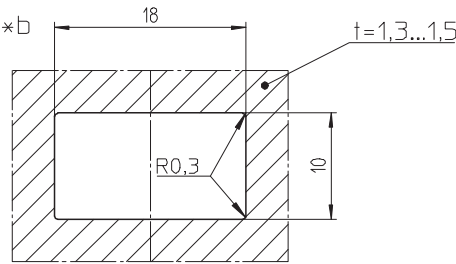
 3521

 3521-2

 352100

35

83545



- \*a keying
- \*b port in mounting plate
- \*c 3 and 4 pole version

35

83545

Designation	Pole Number	PU (Pieces)	MDQ (Pieces)
83545 03	3	500	4000
83545 04	4	500	4000

Designation to be completed by further details (e.g. for keying, color or material options).

**Packaging:**

in bulk, in a cardboard box