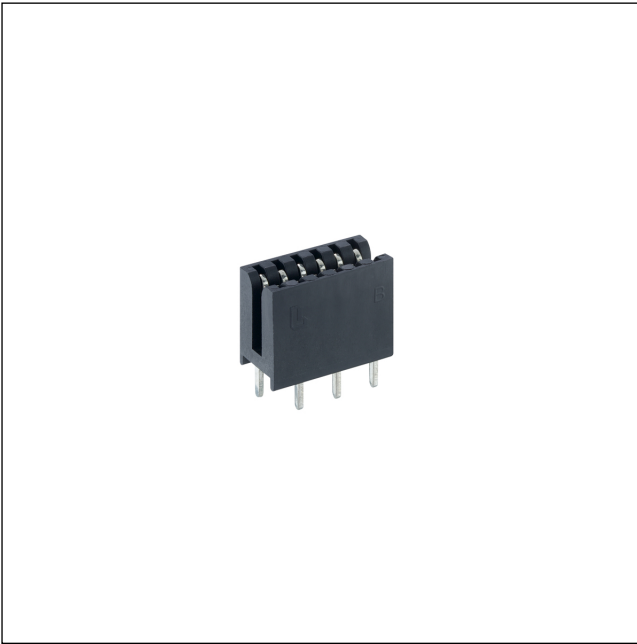


51

8510 A 02

Direct connectors for insert cards, pitch 2.5/2.54/5.0/ 5.08 mm



Socket board for direct mating, with solder pins  
contact pitch 2.54 mm

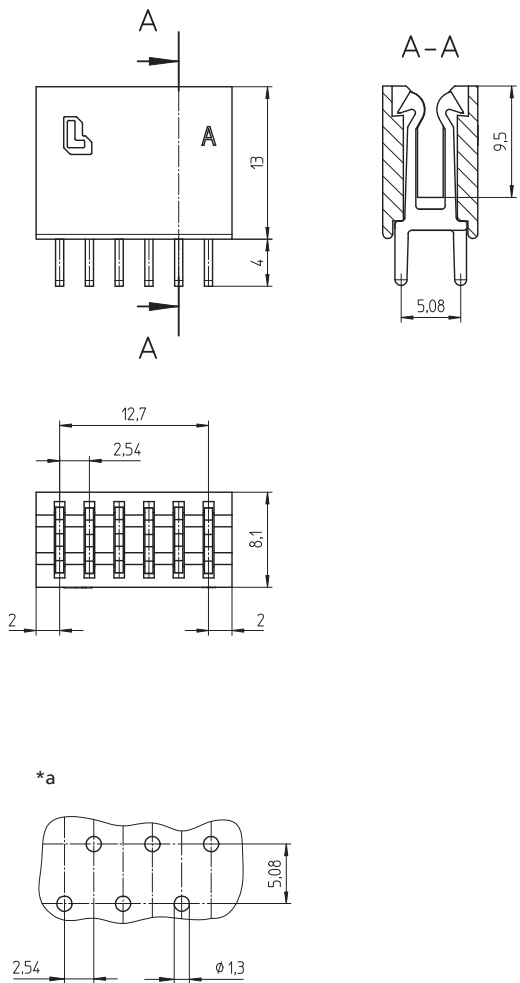
---

State: New

---

51

8510 A 02



\*a printed circuit board layout, solder side view

#### Environmental conditions

Temperature range -40 °C/+120 °C<sup>1</sup>

<sup>1</sup> upper limit temperature (insulating body) RTI (electrical) of the UL Yellow Card

#### Materials

Insulating body PA GF, V-0 according to UL94<sup>1</sup>

Contact spring CuSn, pre-nickel and tin-plated

<sup>1</sup> component glow wire resistant (GWT 750 °C), testing acc. to IEC 60695-2-11, assessment acc. to IEC 60335-1 (flame < 2 s)

#### Mechanical data

Mating with Leiterplatte 1,5 ± 0,14 mm

Withdrawal force/contact ≥ 0,6 N<sup>1</sup>

<sup>1</sup> measured with a polished steel pin, nominal thickness 1.5 mm

#### Electrical data (at T<sub>amb</sub> 20 °C)

Contact resistance ≤ 3 mΩ

Rated current 5 A (T<sub>v</sub> 60 °C)

Rated voltage 160 V AC

Material group IIIa (IEC)/2 (UL) (CTI ≥ 250)

Creepage distance 1,84 mm

Clearance 1,84 mm

Insulation resistance > 10 GΩ

#### Associated products

Accessories

☞ F

☞ FD

☞ FF

☞ FL

51

8510 A 02

| Designation | Pole Number | PU (Pieces) | MDQ (Pieces) |
|-------------|-------------|-------------|--------------|
| 8510 A 02   | 6           | 200         | 2000         |

**Packaging:**

in bulk, in a cardboard box or a plastic bag