

51

8514 A 01

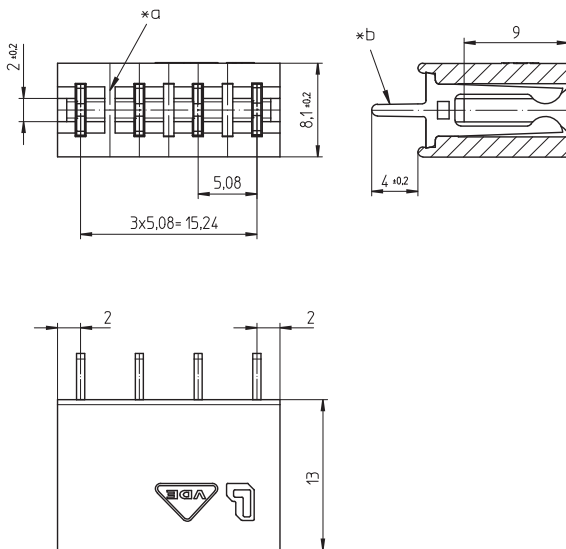
Direct connectors for insert cards, pitch 2.5/2.54/5.0/ 5.08 mm



Socket board for direct mating, with or without keying  
rib, with solder pins  
contact pitch 5.08 mm

51

8514 A 01



- \*a keying rib  
\*b solder pin for bore hole in printed circuit board  $\varnothing$  1.3 mm

### Environmental conditions

Temperature range -40 °C/+110 °C (8514 A 01)  
-40 °C/+120 °C (8514 A 01 M13)<sup>1</sup>

<sup>1</sup> upper limit temperature (insulating body) RTI (electrical) of the UL Yellow Card

### Materials

Insulating body PPE/PS GF, V-1 according to UL94 (8514 A 01)  
PA GF, V-0 according to UL94 (8514 A 01 M13)<sup>1</sup>

Contact spring CuSn, pre-nickel and tin-plated

<sup>1</sup> M13: component glow wire resistant (GWT 750 °C), testing acc. to IEC 60695-2-11, assessment acc. to IEC 60335-1 (flame < 2 s)

### Mechanical data

Mating with printed circuit board  $1.5 \pm 0.14$  mm

Withdrawal force/contact  $\geq 0,6$  N<sup>1</sup>

<sup>1</sup> measured with a polished steel pin, nominal thickness 1.5 mm

### Electrical data (at $T_{amb}$ 20 °C)

Contact resistance  $\leq 3$  m $\Omega$   
Rated current 5 A ( $T_u$  60 °C)  
Rated voltage 250 V AC  
Material group IIIa (IEC)/2 (UL) (CTI  $\geq 250$ )  
Creepage distance 4,3 mm  
Clearance 4,3 mm  
Insulation resistance > 10 G $\Omega$

### Associated products

Accessories

 F

 FD

 FF

 FL

51

8514 A 01

Designation	Pole Number	PU (Pieces)	MDQ (Pieces)
8514 A 01	4	1872	1872

**Packaging:**

in bar stock carriers, in a cardboard box