

51

8514 A 02

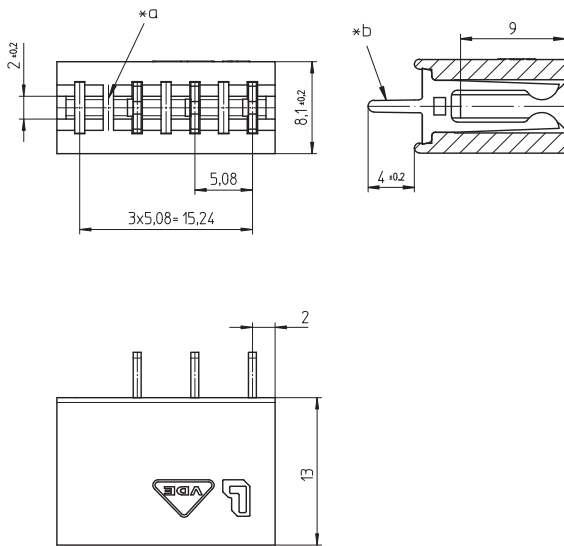
Direct connectors for insert cards, pitch 2.5/2.54/5.0/ 5.08 mm



Socket board for direct mating, with or without keying  
rib, with solder pins  
contact pitch 5.08 mm

51

8514 A 02



- \*a keying rib
- \*b solder pin for bore hole in printed circuit board  $\varnothing$  1.3 mm

#### Environmental conditions

Temperature range -40 °C/+110 °C (8514 A 02)  
-40 °C/+120 °C (8514 A 02 M13)<sup>1</sup>

<sup>1</sup> upper limit temperature (insulating body) RTI (electrical) of the UL Yellow Card

#### Materials

Insulating body PPE/PS GF, V-1 according to UL94 (8514 A 02)  
PA GF, V-0 according to UL94 (8514 A 02 M13)<sup>1</sup>

Contact spring CuSn, pre-nickel and tin-plated

<sup>1</sup> M13: component glow wire resistant (GWT 750 °C), testing acc. to IEC 60695-2-11, assessment acc. to IEC 60335-1 (flame < 2 s)

#### Mechanical data

Mating with printed circuit board  $1.5 \pm 0.14$  mm

Withdrawal force/contact  $\geq 0,6$  N<sup>1</sup>

<sup>1</sup> measured with a polished steel pin, nominal thickness 1.5 mm

#### Electrical data (at $T_{amb}$ 20 °C)

Contact resistance  $\leq 3$  m $\Omega$   
 Rated current 5 A ( $T_u$  60 °C)  
 Rated voltage 250 V AC  
 Material group IIIa (IEC)/2 (UL) (CTI  $\geq 250$ )  
 Creepage distance 4,3 mm  
 Clearance 4,3 mm  
 Insulation resistance > 10 G $\Omega$

#### Associated products

Accessories

 F

 FD

 FF

 FL

51

8514 A 02

Designation	Pole Number	PU (Pieces)	MDQ (Pieces)
8514 A 02	3	1872	1872

**Packaging:**

in bar stock carriers, in a cardboard box