

51

8514 A 03

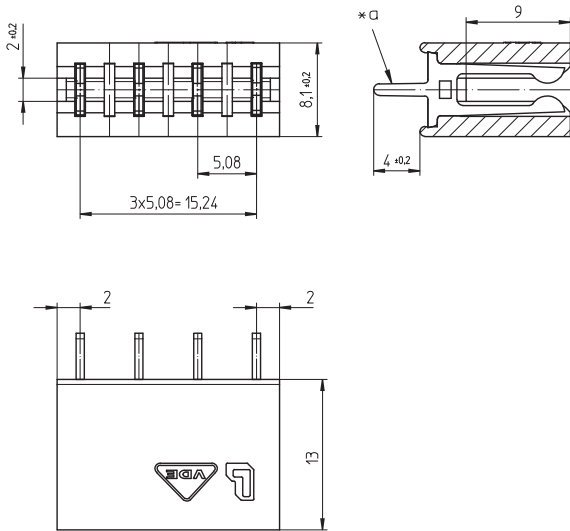
Direct connectors for insert cards, pitch 2.5/2.54/5.0/ 5.08 mm



Socket board for direct mating, with or without keying
rib, with solder pins
contact pitch 5.08 mm

51

8514 A 03



*a solder pin for bore hole in printed circuit board \varnothing 1.3 mm

Environmental conditions

Temperature range -40 °C/+120 °C¹

¹ upper limit temperature (insulating body) RTI (electrical) of the UL Yellow Card

Materials

Insulating body PA GF, V-0 according to UL94 (8514 A 03 M13)¹

Contact spring CuSn, pre-nickel and tin-plated

¹ M13: component glow wire resistant (GWT 750 °C), testing acc. to IEC 60695-2-11, assessment acc. to IEC 60335-1 (flame < 2 s)

Mechanical data

Mating with printed circuit board 1.5 ± 0.14 mm

Withdrawal force/contact \geq 0,6 N¹

¹ measured with a polished steel pin, nominal thickness 1.5 mm

Electrical data (at T_{amb} 20 °C)

Contact resistance	\leq 3 m Ω
Rated current	5 A (T _v 60 °C)
Rated voltage	250 V AC
Material group	IIIa (IEC)/2 (UL) (CTI \geq 250)
Creepage distance	4,3 mm
Clearance	4,3 mm
Insulation resistance	> 10 G Ω

Associated products

Accessories

 F

 FD

 FF

 FL

51

8514 A 03

Designation	Pole Number	PU (Pieces)	MDQ (Pieces)
8514 A 03	4	1872	1872

Packaging:

in bar stock carriers, in a cardboard box