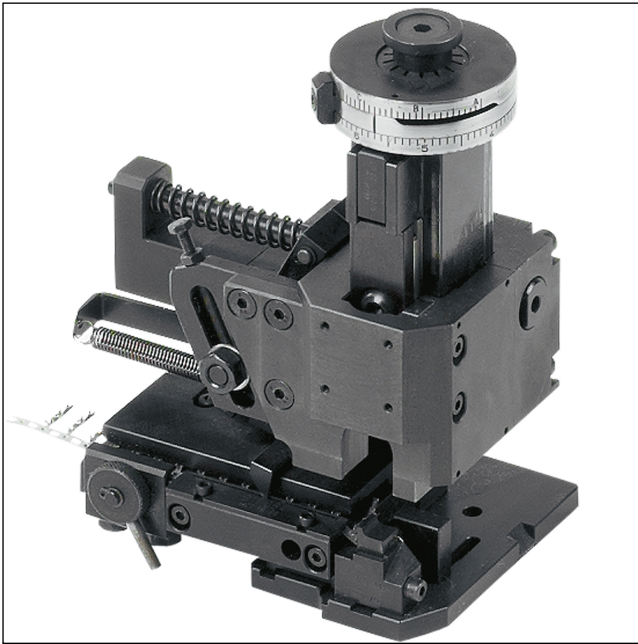


97 CAW03

Tools and harnessing machines



Processing tool for crimp contacts for circular connectors,  
for use with suitable operating machines

---

**Range of application**

|                               |                    |
|-------------------------------|--------------------|
| State of delivery of contacts | on reel            |
| Processable conductor         | discrete conductor |

---

**Features**

|                                 |                                   |
|---------------------------------|-----------------------------------|
| Application                     | middle and high volume production |
| Scope of functions and delivery | - Easy changing of tools          |

---

**Dimensions and supply data**

|                        |                          |
|------------------------|--------------------------|
| Dimensions (H x W x D) | 160 mm x 170 mm x 110 mm |
| Weight                 | ca. 4 kg                 |

---

**Suitable combinations**

|                        |         |
|------------------------|---------|
| Suitable base machines | aus CDN |
|------------------------|---------|

---

97 CAW03

| Designation | Pole Number | PU (Pieces) | MDQ (Pieces) |
|-------------|-------------|-------------|--------------|
| CAW03       | -           |             | 1            |