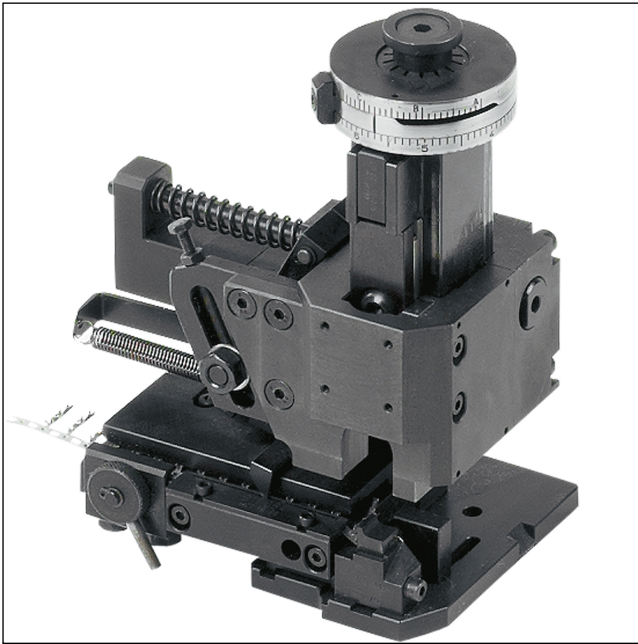


97 CAW31-01

Tools and harnessing machines



Processing tool for Minimodul™/Multimodul™ crimp contacts, for use with suitable operating machines

Range of application

State of delivery of contacts	on reel
Processable conductor	discrete conductor

Features

Application	middle and high volume production
Scope of functions and delivery	- Easy changing of tools

Dimensions and supply data

Dimensions (H x W x D)	160 mm x 170 mm x 110 mm
Weight	ca. 4 kg

Suitable combinations

Suitable base machines	aus CDN
------------------------	---------

97

CAW31-01

Designation	Pole Number	PU (Pieces)	MDQ (Pieces)
CAW31-01	-		1