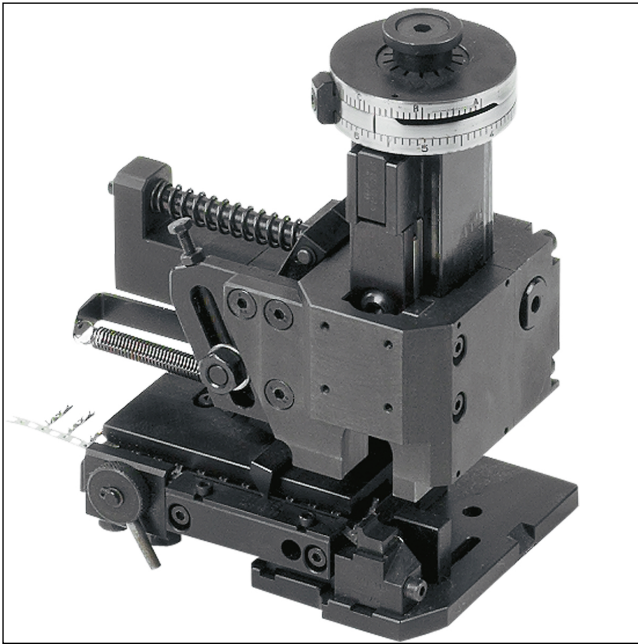


97 CAW31-03

Tools and harnessing machines



Processing tool for Minimodul™/Multimodul™ crimp contacts, for use with suitable operating machines

---

**Range of application**

State of delivery of contacts	on reel
Processable conductor	discrete conductor

---

**Features**

Application	middle and high volume production
Scope of functions and delivery	- Easy changing of tools

---

**Dimensions and supply data**

Dimensions (H x W x D)	160 mm x 170 mm x 110 mm
Weight	ca. 4 kg

---

**Suitable combinations**

Suitable base machines	aus CDN
------------------------	---------

---

97

CAW31-03

Designation	Pole Number	PU (Pieces)	MDQ (Pieces)
CAW31-03	-		1