

65 KBW

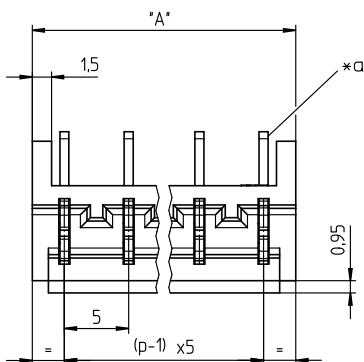
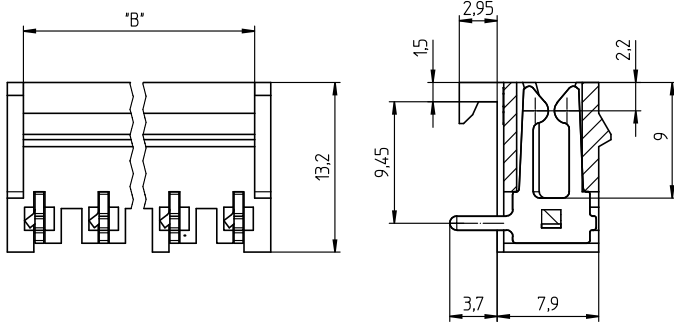
Pluggable screw terminal blocks on socket boards, pitch 5.0 mm



Socket board, angular, solder pins single row, with retaining hooks for printed circuit board edge, consecutive placement without loss of pitch

Approvals:  

65 KBW



*a solder pin for printed circuit board bore hole \varnothing 1.3 mm

Environmental conditions

Temperature range -25 °C/+100 °C¹

¹ upper limit temperature (insulating body) RTI (electrical) of the UL Yellow Card

Materials

Insulating body PA, V-2 according to UL94
Contact spring CuSn, pre-nickel and tin-plated

Mechanical data

Insertion force/contact $\leq 2.5 \text{ N}^1$

Withdrawal force/contact $\geq 1.5 \text{ N}^1$

¹ measured with a polished steel pin, nominal thickness 0.7 mm

Electrical data (at $T_{\text{amb}} 20 \text{ °C}$)

Contact resistance $\leq 5 \text{ m}\Omega$

Rated current 10 A ($T_{\text{amb}} 65 \text{ °C}$, UL)/15 A (CSA)

Rated voltage 250 V AC¹

Material group I (IEC)/0 (UL) (CTI ≥ 600)¹

Creepage distance 4.3 mm

Clearance 4.3 mm

Insulation resistance $> 10 \text{ G}\Omega$

¹ according to IEC 60664/DIN EN 60664, CTI UL classification according to ANSI/UL 746A

Associated products

Counterparts

 KSC

 KSC

65 KBW

Designation	Pole Number	PU (Pieces)	MDQ (Pieces)	Dimensions	
				A (mm)	B (mm)
KBW 02	2	200	2000	10	7.5
KBW 03	3	200	2000	15	12.5
KBW 04	4	200	2000	20	17.5
KBW 05	5	200	2000	25	22.5
KBW 06	6	200	2000	30	27.5
KBW 07	7	200	2000	35	32.5
KBW 08	8	200	2000	40	37.5
KBW 09	9	200	2000	45	42.5
KBW 10	10	200	2000	50	47.5

Packaging:

in bulk, in a cardboard box