

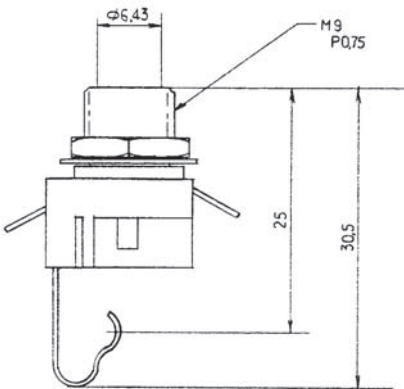
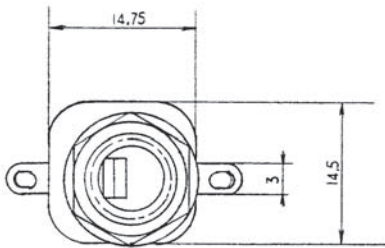
15 KLBM 3

Jack connectors



Jack chassis socket acc. to JIS C 6560 JC63J2A, 6.35 mm, 2 poles/mono, with solder eyes, for back side mounting

15 KLBM 3



Environmental conditions

Temperature range -20 °C/+70 °C

Materials

Insulating body	PC, V-2 according to UL94
Contact	Cu alloy, nickel-plated
Hexagonal nut	steel, nickel-plated
Washer	steel, nickel-plated

Mechanical data

Mating cycles	≥ 5000
Insertion force	5–40 N
Withdrawal force	5–40 N

Electrical data (at T_{amb} 20 °C)

Contact resistance	≤ 30 mΩ
Rated current	2 A
Rated voltage	34 V AC/DC
Rated impulse voltage	250 V/60 s
Insulation resistance	≥ 50 MΩ

Associated products

Counterparts
☑ KLSM 3

15

KLBM 3

Designation	Pole Number	PU (Pieces)	MDQ (Pieces)
KLBM 3	2	100	500

Packaging:

in bulk, in a cardboard box or a plastic bag