

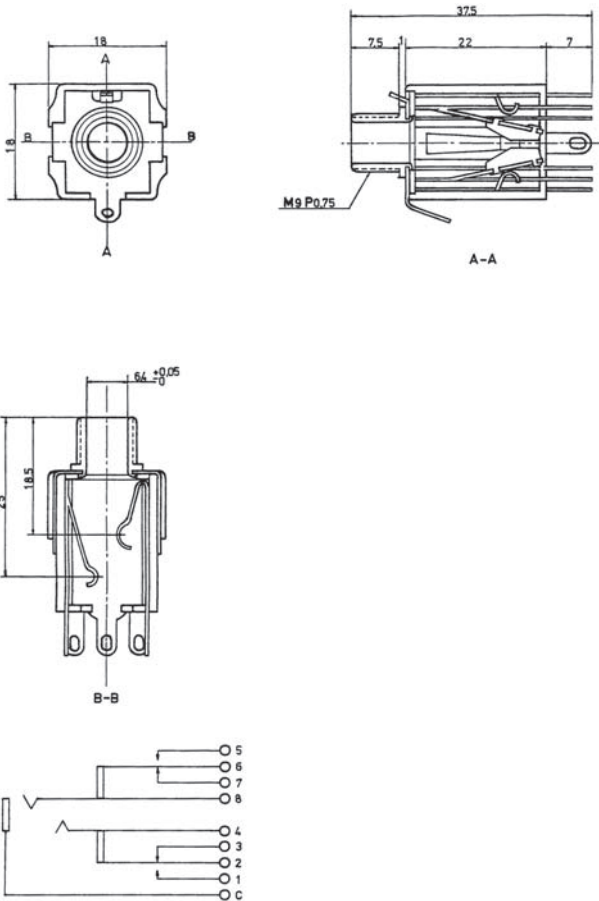
15 KLBPSS 3

Jack connectors



Jack chassis socket acc. to JIS C 6560 JC63J3E, 6.35 mm, 3 poles/stereo, with 2 change-over switches and solder eyes, for back side mounting

State: Active



Environmental conditions

Temperature range -20 °C/+70 °C

Materials

| | |
|-----------------|---------------------------|
| Insulating body | PC, V-2 according to UL94 |
| Contact | CuSn/CuZn |
| Insulation | PA |
| Hexagonal nut | steel, nickel-plated |
| Washer | steel, nickel-plated |


Mechanical data

| | |
|------------------|--------|
| Mating cycles | ≥ 5000 |
| Insertion force | 5–40 N |
| Withdrawal force | 5–40 N |

Electrical data (at T_{amb} 20 °C)

| | |
|-----------------------|------------|
| Contact resistance | ≤ 30 mΩ |
| Rated current | 2 A |
| Rated voltage | 34 V AC/DC |
| Rated impulse voltage | 500 V/60 s |
| Insulation resistance | ≥ 100 MΩ |

Associated products

Counterparts
 KLS 3

15

KLBPSS 3

| Designation | Pole Number | PU (Pieces) | MDQ (Pieces) |
|-------------|-------------|-------------|--------------|
| KLBPSS 3 | 3 | 50 | 250 |

Packaging:

in bulk, in a cardboard box or a plastic bag