

15 KLS 40

Jack connectors



Jack plug acc. to JIS C 6560 JC35P3, 3.5 mm, 3 poles/  
stereo, straight version, with bend protection and solder  
terminal

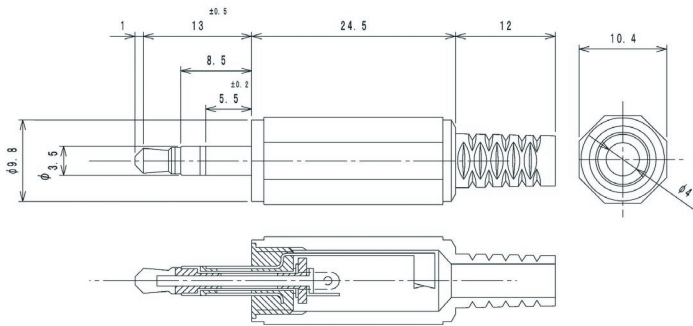
---

State: Obsolete

---

15

KLS 40



#### Environmental conditions

Temperature range -20 °C/+70 °C

#### Materials

Insulating body	ABS
Contact	CuZn/steel, nickel-plated
Insulation	POM/ebonite/PC
Housing	PE

#### Connectable conductors for solder area

Cable diameter 4 mm

#### Electrical data (at T<sub>amb</sub> 20 °C)

Rated current	1 A
Rated voltage	34 V AC/DC
Rated impulse voltage	500 V/60 s
Insulation resistance	≥ 100 MΩ

#### Associated products

##### Counterparts

<a href="#">☞ 1502 01</a>	<a href="#">☞ 1502 06</a>	<a href="#">☞ 1502 07</a>
<a href="#">☞ 1502 08</a>	<a href="#">☞ 1503 02</a>	<a href="#">☞ 1503 03</a>
<a href="#">☞ 1503 08</a>	<a href="#">☞ 1503 09</a>	<a href="#">☞ 1503 17</a>
<a href="#">☞ 1503 18</a>	<a href="#">☞ 1503 27</a>	<a href="#">☞ 1503 29</a>
<a href="#">☞ 1503 30</a>	<a href="#">☞ 1520 01</a>	<a href="#">☞ 1520 02</a>
<a href="#">☞ 4510</a>	<a href="#">☞ 4511</a>	<a href="#">☞ KLB 4</a>
<a href="#">☞ KLBR 4</a>		

15

KLS 40

Designation	Pole Number	PU (Pieces)	MDQ (Pieces)
KLS 40	3	100	500

**Packaging:**

in bulk, in a cardboard box or a plastic bag