

61 KREG

Screw terminal blocks, pitch 3.5/5.0/10.0 mm

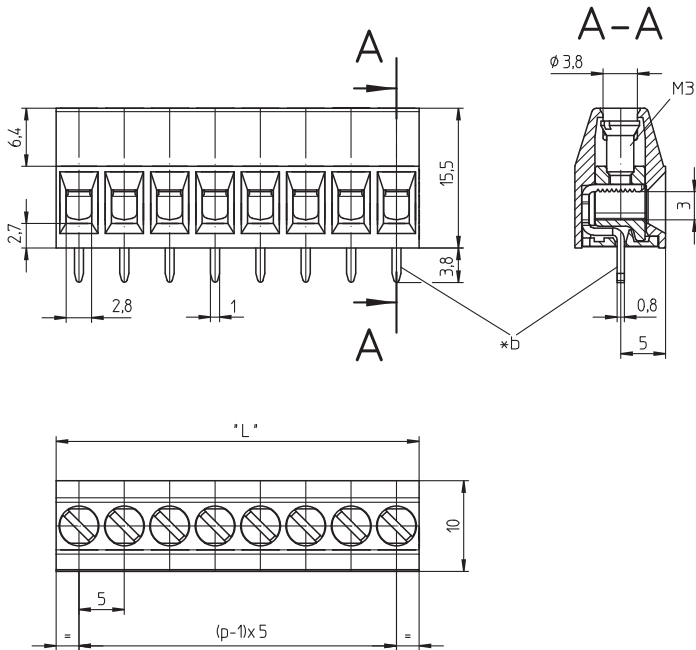


Screw terminal block, with lift clamp with protection against misplacing, with stronger screw, upright version, consecutive placement without loss of pitch contact pitch 5.0 mm

Approvals:



**61 KREG**



\*b solder pin for printed circuit board bore hole  $\varnothing 1.3$  mm

**Environmental conditions**

Temperature range                      -25 °C/+125 °C – KREG  
    -25 °C/+130 °C – KREG M20<sup>1</sup>

<sup>1</sup> upper limit temperature (insulating body) RTI (electrical) of the UL Yellow Card

**Materials**

Insulating body                              PA, V-2 according to UL94  
    PA, V-0 according to UL94 – KREG  
    M20<sup>1</sup>

Clamp    CuZn, nickel-plated

Wire protector                                CuZn, pre-nickel and tin-plated

Screw    steel, zinc-plated and chromated

<sup>1</sup> KREG M20: material halogen-free, GWI1 960 °C, GWI1 775 °C, not yet filed for VDE/UL/CSA approval

**Mechanical data**

Screw size                                      M3  
 Tightening torque screw                0.5 Nm

---

**Connectable conductors for screw clamp**

Section stranded wire	0.2–4.0 mm <sup>2</sup> (VDE) AWG 22–14 (UL, CSA)
Section stranded wire with ferrule	0.2–2.5 mm <sup>2</sup> (VDE) AWG 22–14 (UL, CSA)
Section solid wire	0.2–4.0 mm <sup>2</sup> (VDE) AWG 22–12 (UL)/AWG 22–14 (CSA)
Stripping length	7.0 ± 0.5 mm

---

**Electrical data (at T<sub>amb</sub> 20 °C)**

Rated current	16 A (T <sub>amb</sub> 100 °C, VDE), 15 A (UL)
Rated voltage	250 V AC <sup>1</sup>
Material group	I (IEC)/0 (UL) (CTI ≥ 600) <sup>1</sup>
Creepage distance	4.0 mm
Clearance	2.62 mm
Insulation resistance	> 1 GΩ

<sup>1</sup> according to IEC 60664/DIN EN 60664, CTI UL classification according to ANSI/UL 746A

---

61 KREG

Designation	Pole Number	PU (Pieces)	MDQ (Pieces)	Dimensions L (mm)
KREG 02	2	200	1000	10
KREG 03	3	200	1000	15
KREG 04	4	200	1000	20
KREG 05	5	200	1000	25
KREG 06	6	200	1000	30
KREG 07	7	200	1000	35
KREG 08	8	200	1000	40
KREG 09	9	200	1000	45
KREG 10	10	100	1000	50
KREG 12	12	200	1000	60
KREG 18	18	100	1000	90

**Packaging:**

in bulk, in a cardboard box