

61 KREN

Screw terminal blocks, pitch 3.5/5.0/10.0 mm



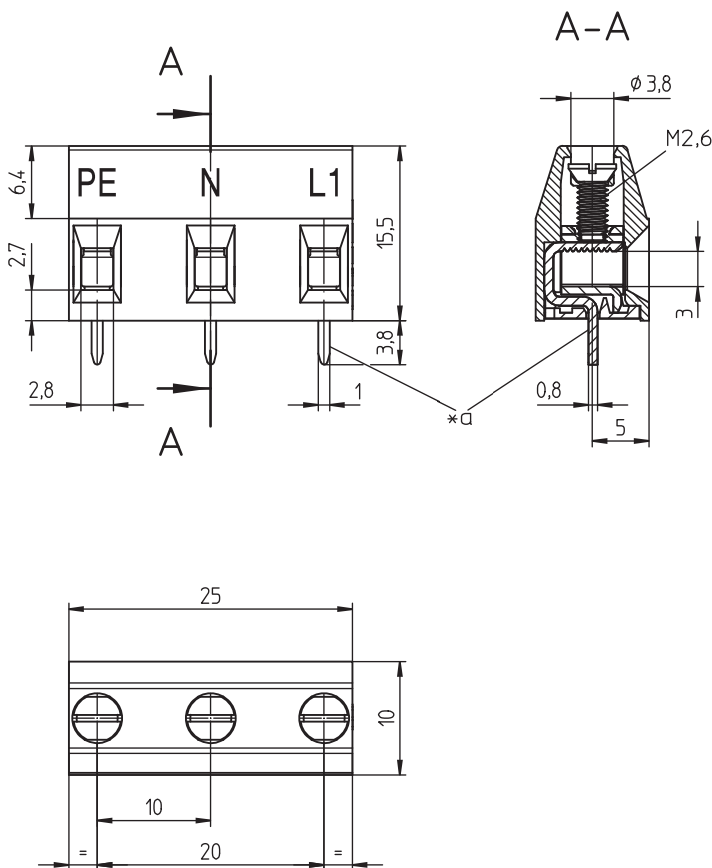
Screw terminal block for mains supply, with lift clamp  
with protection against misplacing, upright version  
contact pitch 10.0 mm

---

Approvals:



61 KREN



\*a solder pin for printed circuit board bore hole  $\varnothing$  1.3 mm

**Environmental conditions**

Temperature range -25 °C/+100 °C<sup>1</sup>

<sup>1</sup> upper limit temperature (insulating body) RTI (electrical) of the UL Yellow Card

**Materials**

Insulating body	PA, V-2 according to UL94
Cover	PA, V-2 according to UL94
Clamp	steel, zinc-plated and chromated
Wire protector	CuZn, pre-nickel and tin-plated
Screw	steel, zinc-plated and chromated

**Mechanical data**

Screw size	M2.6
Tightening torque screw	0.4 Nm

**Connectable conductors for screw clamp**

Section stranded wire	0.2–2.5 mm <sup>2</sup> (VDE), AWG 22–14 (UL)
Section solid wire	0.2–4.0 mm <sup>2</sup> (VDE), AWG 22–12 (UL)
Stripping length	7.0 ± 0.5 mm

**Electrical data (at T<sub>amb</sub> 20 °C)**

Rated current	16 A (T <sub>amb</sub> 100 °C, VDE) 15 A (UL)
Rated voltage	750 V AC (VDE) 250 V AC (UL) <sup>1</sup>
Material group	I (IEC)/0 (UL) (CTI ≥ 600) <sup>1</sup>
Creepage distance	8.6 mm
Clearance	8.6 mm
Insulation resistance	> 1 G $\Omega$

<sup>1</sup> nach IEC 60664/DIN EN 60664, CTI-UL-Klassifizierung nach ANSI/UL 746A

61 KREN

Designation	Pole Number	PU (Pieces)	MDQ (Pieces)	Dimensions L (mm)
KREN 03	3	200	2000	25

**Packaging:**

in bulk, in a cardboard box