

61 KRESS 03/02 - 07/04

Screw terminal blocks, pitch 3.5/5.0/10.0 mm

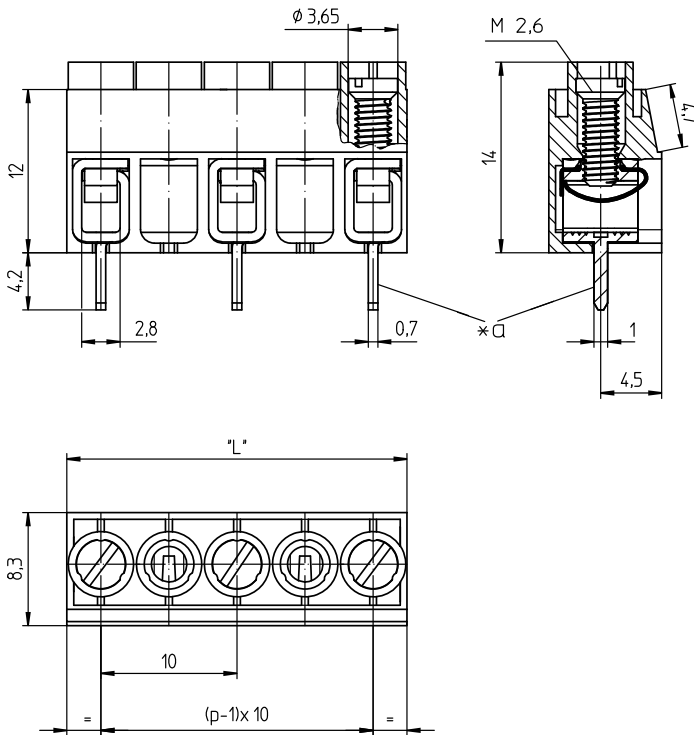


Screw terminal block, clamp with wire protector, upright
version
contact pitch 10.0 mm

Approvals:



61 KRESS 03/02 - 07/04



*a solder pin for printed circuit board bore hole $\phi 1.3$ mm

Environmental conditions

Temperature range -25 °C/+125 °C¹

¹ upper limit temperature (insulating body) RTI (electrical) of the UL Yellow Card

Materials

Insulating body	PA, V-2 according to UL94
Clamp	CuZn, pre-nickel and tin-plated
Wire protector	CuSn, pre-nickel and tin-plated
Screw	steel, zinc-plated and chromated

Mechanical data

Screw size	M2.6
Tightening torque screw	0,4 Nm

Connectable conductors for screw clamp

Section	0,2–2,5 mm ² (VDE) AWG 22–12 (UL), AWG 24–12 (CSA)
Stripping length	7.0 ± 0.5 mm

Electrical data (at T_{amb} 20 °C)

Rated current	15 A (T _{amb} 100 °C, VDE) 20 A (UL) 15 A (CSA)
Rated voltage	1000 V AC (VDE) 150/300 V (UL) 300 V (B, CSA) ¹
Material group	I (IEC)/0 (UL) (CTI ≥ 600) ¹
Creepage distance	9,3 mm
Clearance	9,3 mm
Insulation resistance	> 1 GΩ

¹ according to IEC 60664/DIN EN 60664, CTI UL classification according to ANSI/UL 746A

61 KRESS 03/02 - 07/04

Designation	Pole Number	PU (Pieces)	MDQ (Pieces)	Dimensions L (mm)
KRESS 03/02	2	200	1000	15
KRESS 05/03	3	200	1000	25
KRESS 07/04	4	200	1000	35

Packaging:

in bulk, in a cardboard box