

61 KRESW

Screw terminal blocks, pitch 3.5/5.0/10.0 mm

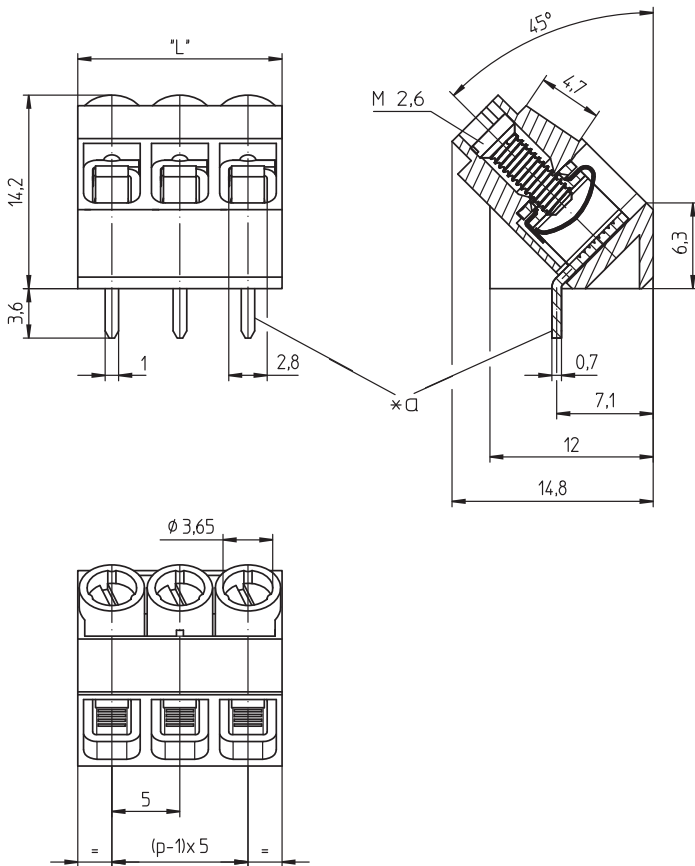


Screw terminal block, clamp with wire protector, 45°  
angle version, with test hole, stringable without loss of  
pitch  
contact pitch 5.0 mm

Approvals:



**61 KRESW**



\*a solder pin for printed circuit board bore hole  $\varnothing$  1.3 mm

**Environmental conditions**

Temperature range -25 °C/+125 °C<sup>1</sup>

<sup>1</sup> upper limit temperature (insulating body) RTI (electrical) of the UL Yellow Card

**Materials**

Insulating body PA, V-2 according to UL94  
Clamp CuZn, pre-nickel and tin-plated  
Wire protector CuSn, pre-nickel and tin-plated  
Screw steel, zinc-plated and chromated

**Mechanical data**

Screw size M2.6  
Tightening torque screw 0,4 Nm

**Connectable conductors for screw clamp**

Section stranded wire 0.2–2.5 mm<sup>2</sup> (VDE)  
AWG 22–12 (cULus)  
Section stranded wire with ferrule 0.2–2.5 mm<sup>2</sup> (VDE)  
AWG 22–12 (cULus)  
Section solid wire 0.2–2.5 mm<sup>2</sup> (VDE)  
AWG 22–12 (cULus)  
Stripping length 7.0 ± 0.5 mm

**Electrical data (at T<sub>amb</sub> 20 °C)**

Rated current 15 A (T<sub>amb</sub> 100 °C, VDE)  
10/20 A (ULus)  
15 A (cUL)  
Rated voltage 250 V AC (VDE)  
150/300 V (cULus)<sup>1</sup>  
Material group I (IEC)/0 (UL) (CTI ≥ 600)<sup>1</sup>  
Creepage distance 4,0 mm  
Clearance 4,0 mm  
Insulation resistance > 1 GΩ

<sup>1</sup> according to IEC 60664/DIN EN 60664, CTI UL classification according to ANSI/UL 746A

61 KRESW

Designation	Pole Number	PU (Pieces)	MDQ (Pieces)	Dimensions L (mm)
KRESW 02	2	200	1000	10
KRESW 03	3	200	1000	15
KRESW 04	4	200	1000	20
KRESW 05	5	200	1000	25
KRESW 06	6	200	1000	30
KRESW 07	7	200	1000	35
KRESW 08	8	200	1000	40
KRESW 10	10	200	1000	50
KRESW 12	12	200	1000	60

**Packaging:**

in bulk, in a cardboard box