

61 KRESW 03/02 - 07/04

Screw terminal blocks, pitch 3.5/5.0/10.0 mm



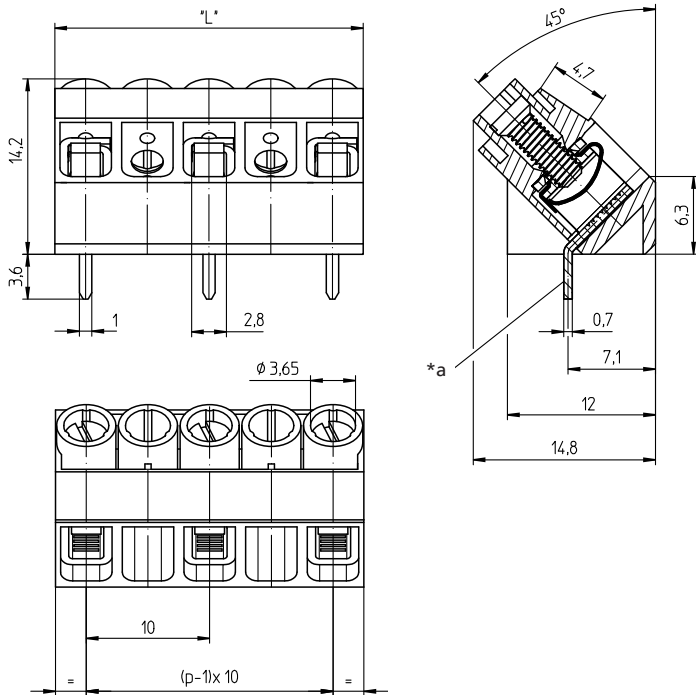
Screw terminal block, clamp with wire protector, 45°  
angle version  
contact pitch 10.0 mm

---

Approvals:



61 KRESW 03/02 - 07/04



\*a solder pin for printed circuit board bore hole  $\varnothing 1.3$  mm

**Environmental conditions**

Temperature range -25 °C/+125 °C<sup>1</sup>

<sup>1</sup> upper limit temperature (insulating body) RTI (electrical) of the UL Yellow Card

**Materials**

Insulating body	PA, V-2 according to UL94
Clamp	CuZn, pre-nickel and tin-plated
Wire protector	CuSn, pre-nickel and tin-plated
Screw	steel, zinc-plated and chromated

**Mechanical data**

Screw size	M2.6
Tightening torque screw	0,4 Nm

**Connectable conductors for screw clamp**

Section	0,2–2,5 mm <sup>2</sup> (VDE) AWG 22–12 (UL), AWG 24–12 (CSA)
Stripping length	7.0 ± 0.5 mm

**Electrical data (at T<sub>amb</sub> 20 °C)**

Rated current	15 A (T <sub>amb</sub> 100 °C, VDE) 20 A (UL) 15 A (CSA)
Rated voltage	1000 V AC (VDE) 150/300 V (UL) 300 V (B, CSA) <sup>1</sup>
Material group	I (IEC)/0 (UL) (CTI ≥ 600) <sup>1</sup>
Creepage distance	9,0 mm
Clearance	9,0 mm
Insulation resistance	> 1 GΩ

<sup>1</sup> according to IEC 60664/DIN EN 60664, CTI UL classification according to ANSI/UL 746A

61 KRESW 03/02 - 07/04

Designation	Pole Number	PU (Pieces)	MDQ (Pieces)	Dimensions L (mm)
KRESW 03/02	2	200	1000	15
KRESW 07/04	4	200	1000	35

**Packaging:**

in bulk, in a cardboard box