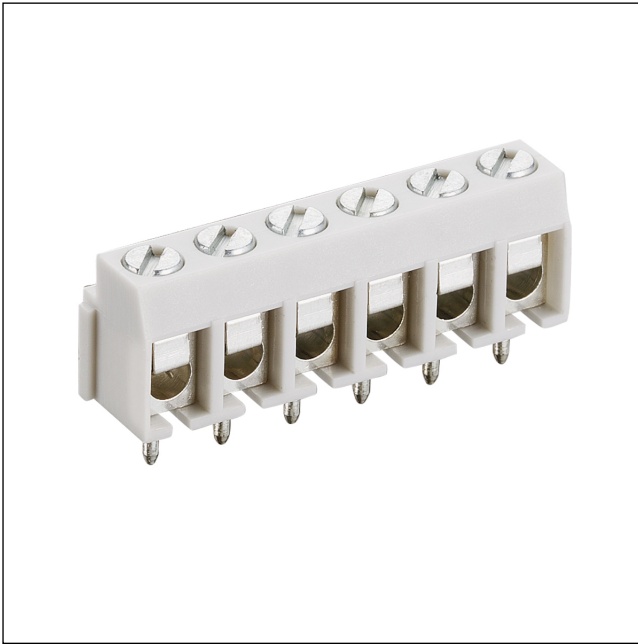


61 KRM

Screw terminal blocks, pitch 3.5/5.0/10.0 mm

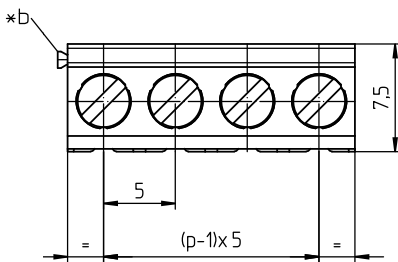
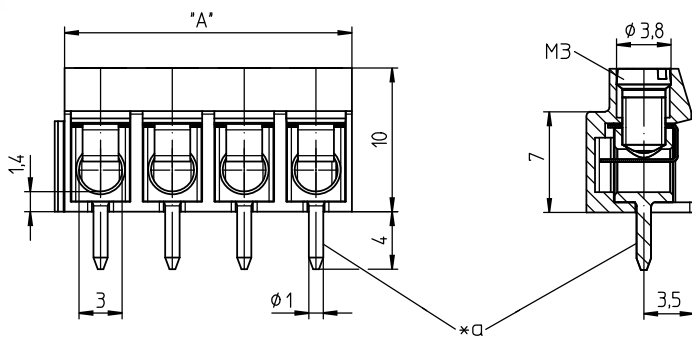


Screw terminal block, clamp with wire protector, upright version, consecutive placement without loss of pitch
contact pitch 5.0 mm

Approvals:



61 KRM



- *a solder pin for printed circuit board bore hole \varnothing 1.3 mm
- *b dovetail joint without loss of pitch

Environmental conditions

Temperature range -25 °C/+110 °C¹

¹ Continuous working temperature (according to IEC 60216) according to material manufacturer's data sheet

Materials

Insulating body	PA, V-2 according to UL94
Clamp	CuZn, pre-nickel and tin-plated
Wire protector	CuSn, nickel-plated
Screw	steel, zinc-plated and chromated

Mechanical data

Screw size	M3
Tightening torque screw	0.5 Nm

Connectable conductors for screw clamp

Section stranded wire	0.2–2.5 mm ² (VDE) AWG 22–14 (CSA)
Section stranded wire with ferrule	0.2–1.5 mm ² (VDE) AWG 24–16 (CSA)
Section solid wire	0.2–2.5 mm ² (VDE) AWG 22–14 (CSA)
Stripping length	7.0 ± 0.5 mm

Electrical data (at T_{amb} 20 °C)

Rated current	15 A (VDE, T _{amb} 100 °C)
Rated voltage	250 V AC (VDE)/300 V (B, CSA) ¹
Material group	I (IEC)/0 (UL) (CTI ≥ 600) ²
Creepage distance	1.3 mm, with maximum section connected (solid conductor 2.5 mm ²)
Clearance	1.3 mm, with maximum section connected (solid conductor 2.5 mm ²)
Insulation resistance	> 10 GΩ

¹ according to IEC 60664/DIN EN 60664

² according to ANSI/UL 746A

61 KRM

Designation	Pole Number	PU (Pieces)	MDQ (Pieces)	Dimensions L (mm)
KRM 02	2	200	1000	10
KRM 03	3	200	1000	15
KRM 04	4	200	1000	20
KRM 05	5	200	1000	25
KRM 06	6	200	1000	30
KRM 07	7	200	1000	35
KRM 08	8	200	1000	40
KRM 09	9	200	1000	45
KRM 11	11	200	1000	55
KRM 12	12	200	1000	60

Packaging:

in bulk, in a cardboard box