

61 KRMOZ

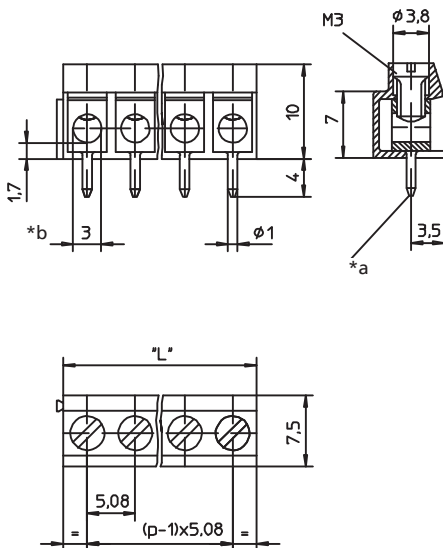
Screw terminal blocks, pitch 3.5/5.0/10.0 mm



Screw terminal block, clamp without wire protector,
upright version, stringable without loss of pitch

State: Obsolete

61 **KRMOZ**



- *a bore hole of printed circuit board \varnothing 1.3 mm
- *b dovetail joint without loss of pitch

Environmental conditions

Temperature range -25 °C/+110 °C¹
¹ continuous working temperature (acc. to IEC 60216) acc. to material data sheet

Materials

Insulating body PA, V-2 according to UL94
 Clamp CuZn, pre-nickel and tin-plated
 Screw steel, zinc-plated and chromatiert

Mechanical data

Screw size M3
 Tightening torque screw 0,4 Nm

Connectable conductors for screw clamp

Section stranded wire 0,2–2,5 mm²
 AWG 22–14 (UL, CSA)
 Section solid wire 0,2–2,5 mm²
 AWG 22–12 (UL)/AWG 22–14 (CSA)
 Stripping length 7 ± 0,5 mm

Electrical data (at T_{amb} 20 °C)

Rated current 15 A
 Rated voltage 250 V AC, ohne Leiterplatte
 Material group I (IEC)/0 (UL) (CTI ≥ 600)
 Creepage distance 1.3 mm, with maximum section connected (solid conductor 2.5 mm²)
 Clearance 1.3 mm, with maximum section connected (solid conductor 2.5 mm²)

61 KRMOZ

Designation	Pole Number	PU (Pieces)	MDQ (Pieces)	Dimensions L (mm)
KRMOZ 02	2	200		10.16
KRMOZ 03	3	200		15.24
KRMOZ 08	8	200		40.64

Packaging:

in bulk, in a cardboard box