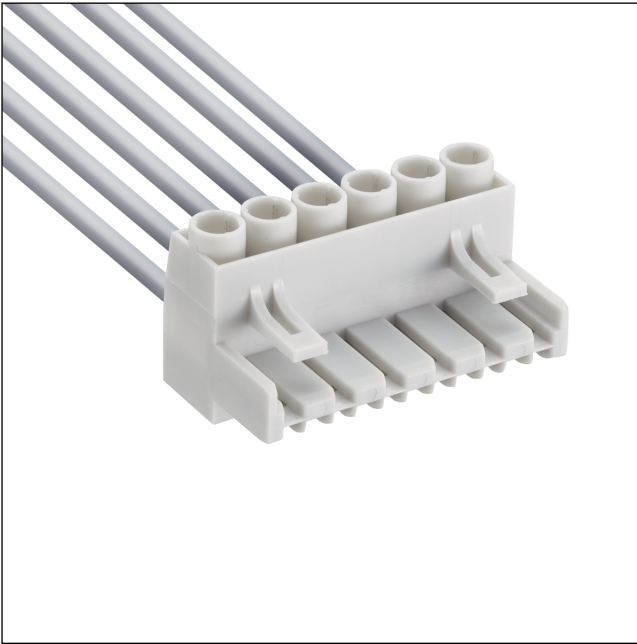



65 KSC

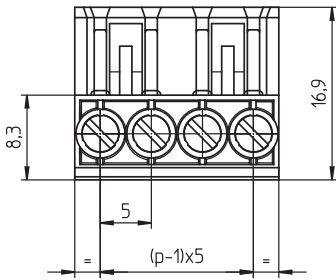
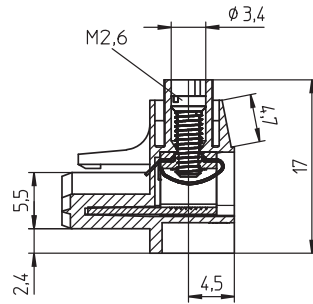
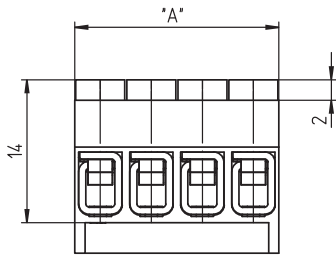
Pluggable screw terminal blocks on socket boards, pitch 5.0 mm



Pluggable screw terminal block, clamp with wire protection,
consecutive placement without loss of pitch, with side walls

Approvals: 

65 KSC



Environmental conditions

Temperature range -25 °C/+100 °C¹

¹ upper limit temperature (insulating body) RTI (electrical) of the UL Yellow Card

Materials

Insulating body PA, V-2 according to UL94
Clamp CuZn, silver-plated
Wire protector CuSn, silver-plated
Screw steel, zinc-plated and chromated

Mechanical data

Screw size M2.6
Tightening torque screw 0.4 Nm

Connectable conductors for screw clamp

Section stranded wire 0.2–2.5 mm² (VDE)
AWG 16–12 (UL)/AWG 24–14 (CSA)
Section solid wire 0.2–4.0 mm² (VDE)
AWG 16–12 (UL)/AWG 24–14 (CSA)
Stripping length 7.0 ± 0.5 mm

Electrical data (at T_{amb} 20 °C)

Rated current 10 A (T_{amb} 65 °C)
Rated voltage 250 V AC¹
Material group I (IEC)/0 (UL) (CTI ≥ 600)¹
Creepage distance 4.2 mm²
Clearance 3.5 mm²
Insulation resistance > 10 GΩ

¹ according to IEC 60664/DIN EN 60664, CTI UL classification according to ANSI/UL 746A

² with connected maximum cross section

Associated products

Counterparts
[☞ KB](#) [☞ KBQ](#) [☞ KBW](#)
[☞ KBWO](#)

65

KSC

Designation	Pole Number	PU (Pieces)	MDQ (Pieces)	Dimensions A (mm)
KSC 02	2	200	2000	10
KSC 03	3	200	2000	15
KSC 04	4	200	2000	20
KSC 05	5	200	2000	25
KSC 06	6	200	2000	30
KSC 07	7	200	2000	35
KSC 08	8	200	2000	40
KSC 09	9	200	2000	45
KSC 10	10	200	2000	50

Packaging:

in bulk, in a cardboard box