

15

KTO 1

RCA connectors

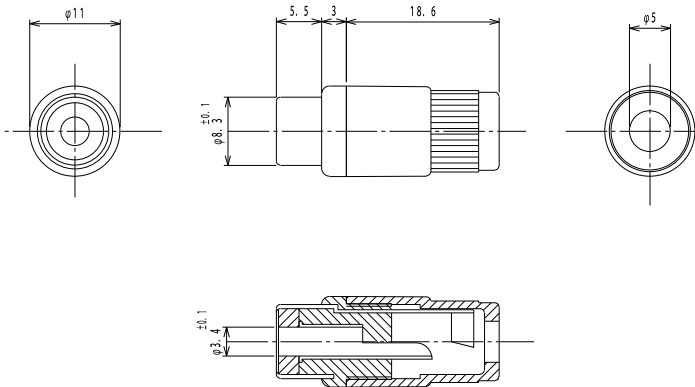


RCA socket acc. to JEITA RC-5231, straight version, with solder terminals

State: Active

15

KTO 1



Environmental conditions

Temperature range -20 °C/+70 °C

Materials

Insulating body ABS, HB according to UL94
 Inner contact CuZn, nickel-plated
 Outer contact steel, nickel-plated
 Housing ABS

Mechanical data

Mating cycles ≥ 5000
 Insertion force ≤ 30 N
 Withdrawal force 1–30 N

Connectable conductors for solder area

Cable diameter 5 mm

Electrical data (at T_{amb} 20 °C)

Contact resistance ≤ 30 m Ω
 Rated current 2 A
 Rated voltage 34 V AC/DC
 Rated impulse voltage 250 V/60 s
 Insulation resistance ≥ 100 M Ω

Associated products

Counterparts
 ☞ 1573 01 V ☞ STO 1 ☞ STO 11 V
 ☞ STO 2 ☞ XSTO 1

15

KTO 1

Designation	Pole Number	PU (Pieces)	MDQ (Pieces)
KTO 1 ROT (red/rouge)	2	100	1000
KTO 1 SCHWARZ (black/noir)	2	100	1000

Packaging:

in bulk, in a cardboard box or a plastic bag