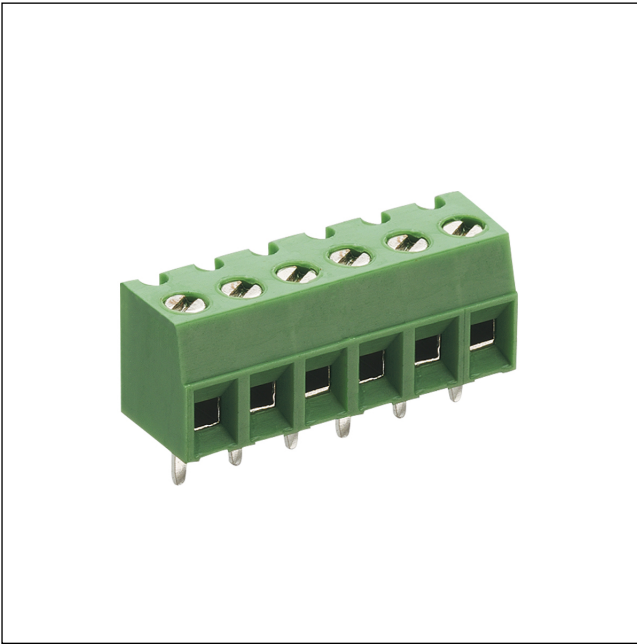


61 MB 332-381

Screw terminal blocks, pitch 3.5/5.0/10.0 mm



Micro screw terminal block, with lift clamp without protection against misplacing, with test hole, upright version, consecutive placement without loss of pitch contact pitch 3.81 mm

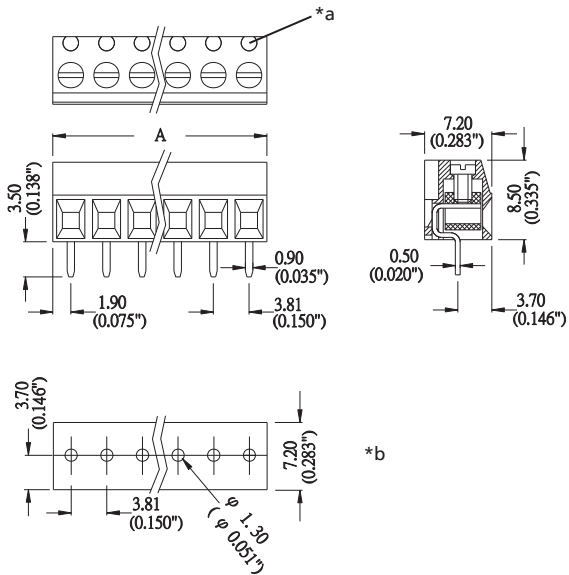
---

State: Obsolete

---

61

MB 332-381



- \*a test hole
- \*b printed circuit board layout

**Environmental conditions**

Temperature range -55 °C/+105 °C

**Materials**

Insulating body	PA, V-0 according to UL94
Clamp	CuZn, nickel-plated
Wire protector	CuZn, tin-plated
Screw	steel, nickel-plated

**Mechanical data**

Screw size	M2
Tightening torque screw	0,34 Nm

**Connectable conductors for screw clamp**

Section	AWG 26–16
Stripping length	4–5 mm

**Electrical data (at T<sub>amb</sub> 20 °C)**

Rated current	8 A
Rated voltage	300 V AC
Rated impulse voltage	≥ 2 kV
Insulation resistance	> 5 GΩ

61

MB 332-381

Designation	Pole Number	PU (Pieces)	MDQ (Pieces)	Dimensions A (mm)
MB 332-381 02	2	200		7.62
MB 332-381 03	3	200		11.43
MB 332-381 04	4	200		15.24
MB 332-381 06	6	200		22.86
MB 332-381 08	8	200		30.48

**Packaging:**

in bulk, in a plastic bag