

67 MC 310-508

Pluggable terminal blocks on pin headers, pitch 5.08 mm

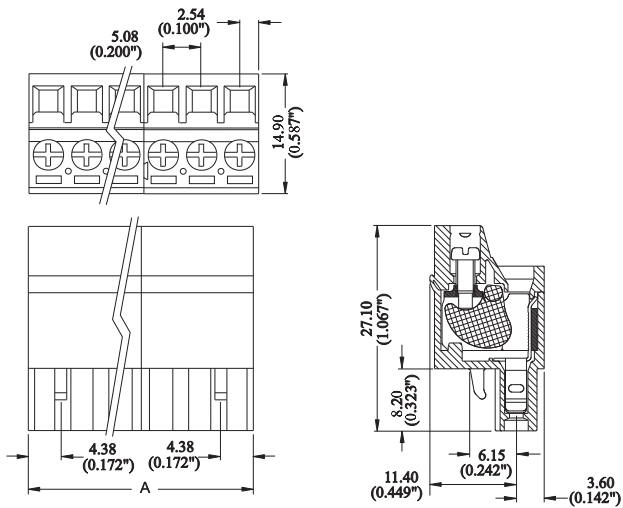


Pluggable screw terminal block, clamp with wire protection, with locking, cable departure and screws 180° to plugging direction, consecutive placement without loss of pitch, with combined screw (cross recession/slot)

Approvals:  

67

MC 310-508



Environmental conditions

Temperature range -40 °C/+105 °C

Materials

Insulating body PA, V-0 according to UL94
 Contact spring CuSn, tin-plated
 Clamp steel, zinc-plated
 Screw steel, zinc-plated

Mechanical data

Screw size M2,6
 Tightening torque screw 0,5 Nm

Connectable conductors for screw clamp

Section AWG 24-14 (0,25-2,5 mm²)
 Stripping length 4-5 mm

Electrical data (at T_{amb} 20 °C)

Rated current 16 A
 Rated voltage 300 V AC
 Rated impulse voltage ≥ 2 kV
 Insulation resistance > 5 GΩ

Associated products

Counterparts
 ☞ ME 010-508 ☞ ME 020-508 ☞ ME 030-508
 ☞ ME 040-508

67

MC 310-508

| Designation | Pole Number | PU (Pieces) | MDQ (Pieces) | Dimensions A (mm) |
|---------------|-------------|-------------|--------------|----------------------|
| MC 310-508 03 | 3 | 500 | 600 | 15.24 |

Packaging:

in bulk, in a plastic bag